



Figure similar

MLFB-Ordering data

1FK7034-5AK71-1LA0

Client order no. :
Order no. :
Offer no. :
Remarks :

Item no. :
Consignment no. :
Project :

Engineering data

Rated speed (100 K)	6000 rpm
Number of poles	6
Rated torque (100 K)	1.0 Nm
Rated current	1.3 A
Static torque (60 K)	1.35 Nm
Static torque (100 K)	1.60 Nm
Stall current (60 K)	1.60 A
Stall current (100 K)	1.90 A
Moment of inertia	0.900 kgcm ²
Efficiency	88.0 %

Physical constants

Torque constant	0.86 Nm/A
Voltage constant at 20° C	55.0 V/1000*min ⁻¹
Winding resistance at 20° C	4.50 Ω
Rotating field inductance	16.5 mH
Electrical time constant	3.70 ms
Mechanical time constant	1.60 ms
Thermal time constant	30 min
Shaft torsional stiffness	5500 Nm/rad
Net weight of the motor	3.7 kg

Mechanical data

Motor type	Permanent-magnet synchronous motor
Motor type	Compact
Shaft height	36
Cooling	Natural cooling
Radial runout tolerance	0.035 mm
Concentricity tolerance	0.08 mm
Axial runout tolerance	0.08 mm
Vibration severity grade	Grade A
Connector size	1
Degree of protection	IP64
Design acc. to Code I	IM B5 (IM V1, IM V3)
Temperature monitoring	KTY84 temperature sensor in the stator winding
Electrical connectors	Connectors for signals and power rotatable
Color of the housing	without
Holding brake	without holding brake
Shaft end	Feather key
Encoder system	Encoder AM20DQ: absolute encoder 20 bits (resolution 1048576, encoder-internal 512 S/R) + 12 bits multi-turn (traversing range 4096 revolutions)

MLFB-Ordering data

1FK7034-5AK71-1LA0

Figure similar

Optimum operating point

Optimum speed 6000 rpm

Optimum power 0.6 kW

Limiting data

Max. permissible speed (mech.) 10000 rpm

Max. permissible speed (inverter) 10500 rpm

Maximum torque 6.5 Nm

Maximum current 8.0 A

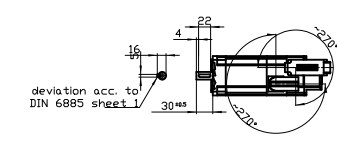
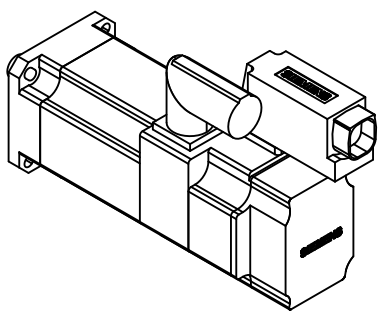
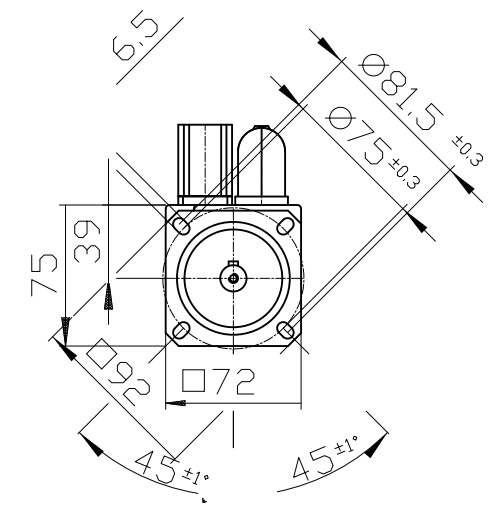
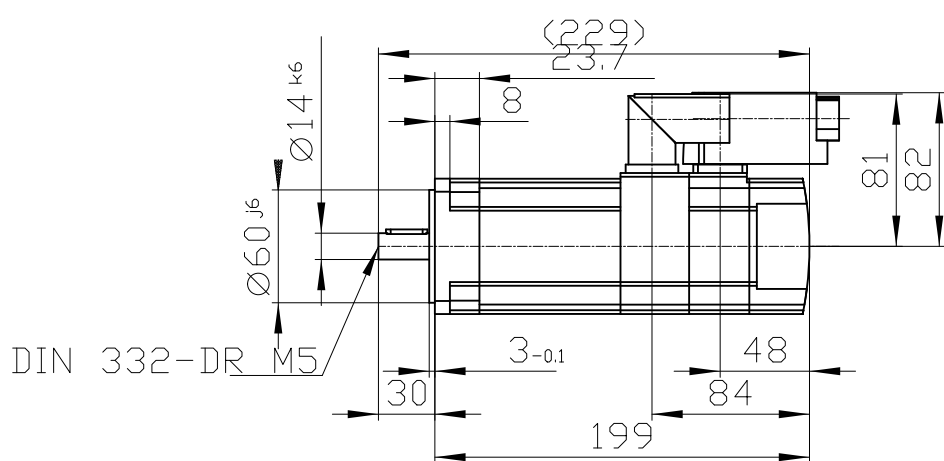
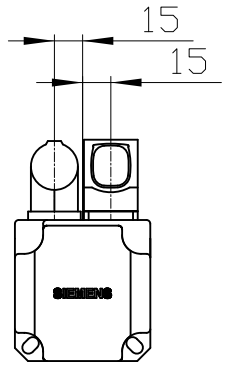
Recommended Motor Module

Rated inverter current 3 A

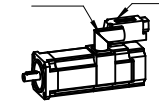
Maximum inverter current 6 A

Maximum torque 4.90 Nm

Copyright © Siemens AG 2005
 Code-drawing do not make any manual changes
 The reproduction or use of this document or its contents is not permitted without express written authority. Offenders will be liable for damages. All rights, including rights created by patent grant or registration of a utility model or design, are reserved.
 Weitergabe sowie Vervielfältigung dieser Unterlage, Verwertung und Mitteilung ihres Inhalts nicht gestattet, soweit nicht ausdrücklich zugestanden. Zuwiderhandlungen verpflichten zu Schadenersatz. Alle Rechte vorbehalten, insbesondere fuer den Fall der Patenterteilung oder Gk-Entragung.
 Confidencial como secreto industrial. No reservados todos los derechos. Comunicado como secreto empresarial. Reservados todos os direitos. Confie a titre de secret d'entreprise. Tous droits reserves.



Connector size 1 = M23;
 6-pole for power and brake
 10-pole RJ45 socket



		-
		-
Unit	mm (in)	1FK7034-5AK71-1LA0
Date	2/23/23	
SIEMENS AG		-
		DT