



Figure similar

MLFB-Ordering data

1FK7034-5AK71-1LA5

Client order no. :
 Order no. :
 Offer no. :
 Remarks :

Item no. :
 Consignment no. :
 Project :

Engineering data

Mechanical data

Rated speed (100 K)	6000 rpm
Number of poles	6
Rated torque (100 K)	1.0 Nm
Rated current	1.3 A
Static torque (60 K)	1.35 Nm
Static torque (100 K)	1.60 Nm
Stall current (60 K)	1.60 A
Stall current (100 K)	1.90 A
Moment of inertia	0.900 kgcm ²
Efficiency	88.0 %

Motor type	Permanent-magnet synchronous motor
Motor type	Compact
Shaft height	36
Cooling	Natural cooling
Radial runout tolerance	0.035 mm
Concentricity tolerance	0.08 mm
Axial runout tolerance	0.08 mm
Vibration severity grade	Grade A
Connector size	1
Degree of protection	IP65 and DE flange IP67
Design acc. to Code I	IM B5 (IM V1, IM V3)
Temperature monitoring	KTY84 temperature sensor in the stator winding
Electrical connectors	Connectors for signals and power rotatable
Color of the housing	Standard (Anthracite RAL 7016)
Holding brake	without holding brake
Shaft end	Feather key
Encoder system	Encoder AM20DQ: absolute encoder 20 bits (resolution 1048576, encoder-internal 512 S/R) + 12 bits multi-turn (traversing range 4096 revolutions)

Physical constants

Torque constant	0.86 Nm/A
Voltage constant at 20° C	55.0 V/1000*min ⁻¹
Winding resistance at 20° C	4.50 Ω
Rotating field inductance	16.5 mH
Electrical time constant	3.70 ms
Mechanical time constant	1.60 ms
Thermal time constant	30 min
Shaft torsional stiffness	5500 Nm/rad
Net weight of the motor	3.7 kg

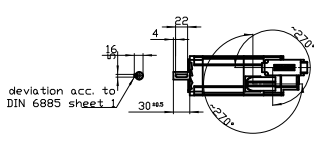
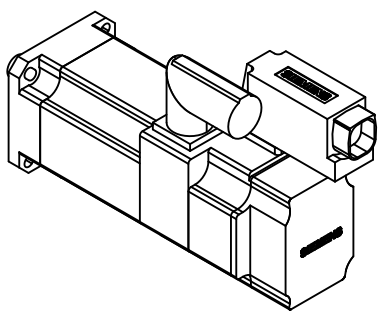
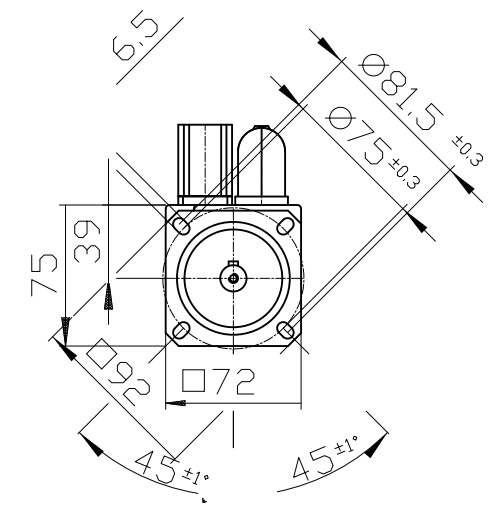
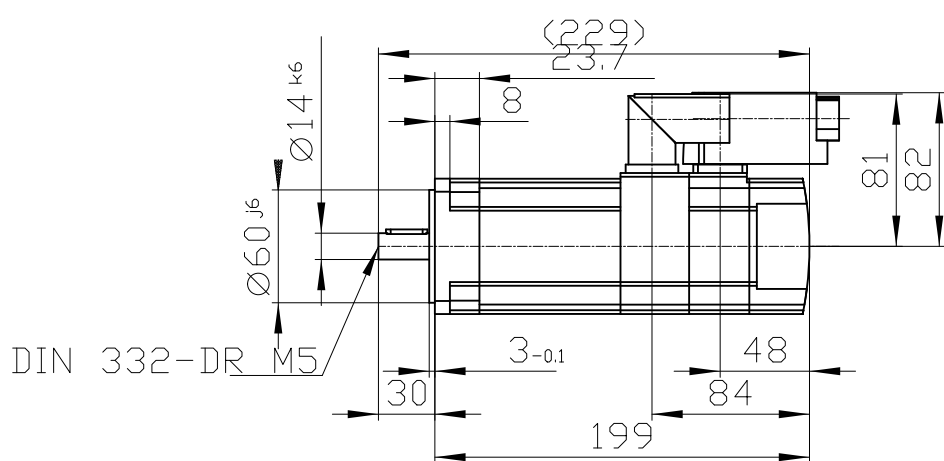
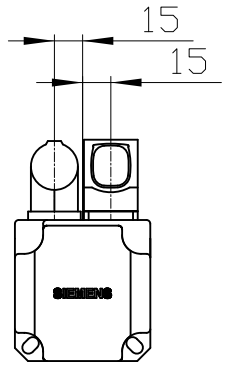
MLFB-Ordering data

1FK7034-5AK71-1LA5

Figure similar

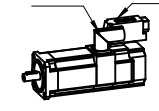
Optimum operating point		Recommended Motor Module	
Optimum speed	6000 rpm	Rated inverter current	3 A
Optimum power	0.6 kW	Maximum inverter current	6 A
Limiting data		Maximum torque	4.90 Nm
Max. permissible speed (mech.)	10000 rpm		
Max. permissible speed (inverter)	10500 rpm		
Maximum torque	6.5 Nm		
Maximum current	8.0 A		

Copyright © Siemens AG 2005
 Code-drawing do not make any manual changes
 The reproduction or use of this document or its contents is not permitted without express written authority. Offenders will be liable for damages. All rights, including rights created by patent grant or registration of a utility model or design, are reserved.
 Weitergabe sowie Vervielfältigung dieser Unterlage, Verwertung und Mitteilung ihres Inhalts nicht gestattet, soweit nicht ausdrücklich zugestanden. Zuwiderhandlungen verpflichten zu Schadenersatz. Alle Rechte vorbehalten, insbesondere für den Fall der Patenterteilung oder Gk-Entragung.
 Confidencial como secreto industrial. No reservados todos los derechos. Comunicado como secreto empresarial. Reservados todos los derechos. Confié a titre de secret d'entreprise. Tous droits réservés.



deviation acc. to DIN 6885 sheet 1

Connector size 1 = M23;
 6-pole for power and brake
 10-pole RJ45 socket



		-
		-
Unit	mm (in)	1FK7034-5AK71-1LA5
Date	2/23/23	
SIEMENS AG		-
		DT