

Data sheet for SIMOTICS S-1FK7

MLFB-Ordering data

1FK7042-5AF71-1EG0

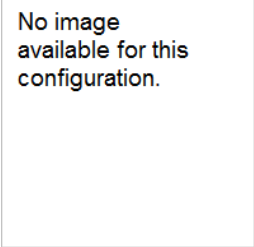


Figure similar

Client order no. :
Order no. :
Offer no. :
Remarks :

Item no. :
Consignment no. :
Project :

Engineering data

Rated speed (100 K)	3000 rpm
Number of poles	8
Rated torque (100 K)	2.6 Nm
Rated current	1.9 A
Static torque (60 K)	2.50 Nm
Static torque (100 K)	3.00 Nm
Stall current (60 K)	1.80 A
Stall current (100 K)	2.20 A
Moment of inertia	3.010 kgcm ²
Efficiency	89.0 %

Physical constants

Torque constant	1.40 Nm/A
Voltage constant at 20° C	89.0 V/1000*min ⁻¹
Winding resistance at 20° C	5.15 Ω
Rotating field inductance	29.0 mH
Electrical time constant	5.60 ms
Mechanical time constant	2.37 ms
Thermal time constant	30 min
Shaft torsional stiffness	16000 Nm/rad
Net weight of the motor	4.9 kg

Mechanical data

Motor type	Permanent-magnet synchronous motor
Motor type	Compact
Shaft height	48
Cooling	Natural cooling
Radial runout tolerance	0.040 mm
Concentricity tolerance	0.08 mm
Axial runout tolerance	0.08 mm
Vibration severity grade	Grade A
Connector size	1
Degree of protection	IP64
Design acc. to Code I	IM B5 (IM V1, IM V3)
Temperature monitoring	KTY84 temperature sensor in the stator winding
Electrical connectors	Connectors for signals and power rotatable
Color of the housing	without
Holding brake	without holding brake
Shaft end	Plain shaft
Encoder system	Encoder AM2048S/R: absolute encoder 2048 S/R, 4096 revolutions multi-turn, with EnDat interface

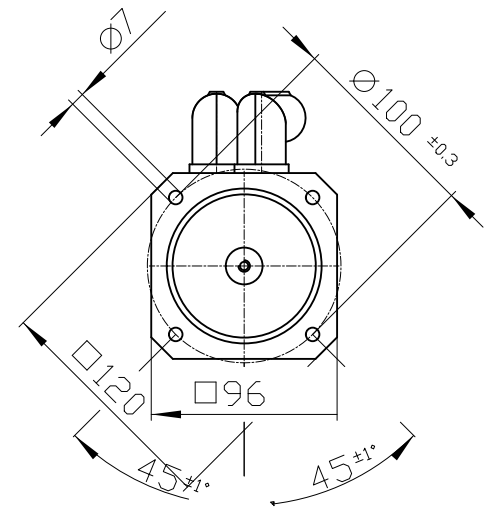
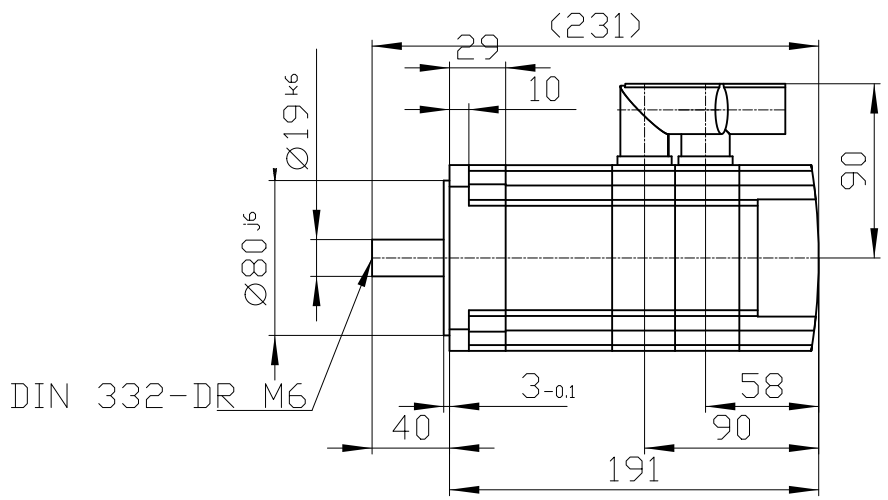
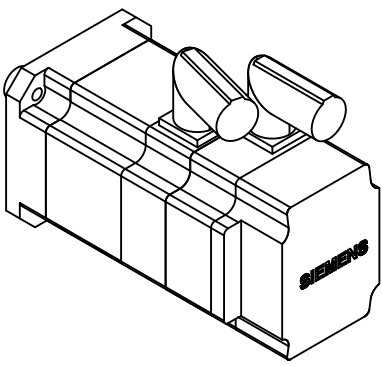
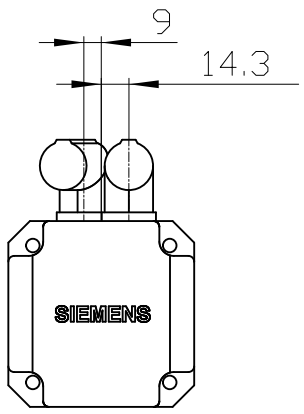
MLFB-Ordering data

1FK7042-5AF71-1EG0

Figure similar

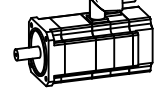
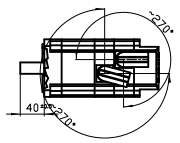
Optimum operating point		Recommended Motor Module	
Optimum speed	3000 rpm	Rated inverter current	3 A
Optimum power	0.8 kW	Maximum inverter current	6 A
Limiting data		Maximum torque	8.40 Nm
Max. permissible speed (mech.)	9000 rpm		
Max. permissible speed (inverter)	6500 rpm		
Maximum torque	10.5 Nm		
Maximum current	7.4 A		

Copyright © Siemens AG 2005
 Code-drawing do not make any manual changes
 The reproduction or use of this document or its contents is not permitted without express written authority. Offenders will be liable for damages. All rights, including rights created by patent grant or registration of a utility model or design, are reserved.
 Weitergabe sowie Vervielfältigung dieser Unterlage, Verwertung und Mitteilung ihres Inhalts ist nicht gestattet, soweit nicht ausdrücklich zugestanden. Zuwahlungen verpflichten zu Schadenersatz. Alle Rechte vorbehalten, insbesondere fuer den Fall der Patenterteilung oder Gk-Entragung.
 Confiado como secreto industrial. No reservamos todos los derechos. Reservados todos los derechos.
 Confié a titre de secret d'entreprise. Tous droits réservés. Communicado como segredo empresarial. Reservados todos os direitos.



DIN 332-DR M6

Connector size 1 = M23;
 6-pole for power and brake
 Connector size M23, 17-pole



		-
Unit	mm (in)	1FK7042-5AF71-1EG0
Date	3/9/23	
SIEMENS AG		-
		DT