

Data sheet for SIMOTICS S-1FK7



Figure similar

MLFB-Ordering data

1FK7042-5AF71-1KH2

Client order no. :
Order no. :
Offer no. :
Remarks :

Item no. :
Consignment no. :
Project :

Engineering data

Rated speed (100 K)	3000 rpm
Number of poles	8
Rated torque (100 K)	2.6 Nm
Rated current	1.9 A
Static torque (60 K)	2.50 Nm
Static torque (100 K)	3.00 Nm
Stall current (60 K)	1.80 A
Stall current (100 K)	2.20 A
Moment of inertia	3.450 kgcm ²
Efficiency	89.0 %

Physical constants

Torque constant	1.40 Nm/A
Voltage constant at 20° C	89.0 V/1000*min ⁻¹
Winding resistance at 20° C	5.15 Ω
Rotating field inductance	29.0 mH
Electrical time constant	5.60 ms
Mechanical time constant	2.37 ms
Thermal time constant	30 min
Shaft torsional stiffness	16000 Nm/rad
Net weight of the motor	5.4 kg

Mechanical data

Motor type	Permanent-magnet synchronous motor
Motor type	Compact
Shaft height	48
Cooling	Natural cooling
Radial runout tolerance	0.040 mm
Concentricity tolerance	0.08 mm
Axial runout tolerance	0.08 mm
Vibration severity grade	Grade A
Connector size	1
Degree of protection	IP65 and DE flange IP67
Design acc. to Code I	IM B5 (IM V1, IM V3)
Temperature monitoring	KTY84 temperature sensor in the stator winding
Electrical connectors	Connectors for signals and power rotatable
Color of the housing	without
Holding brake	with holding brake
Shaft end	Plain shaft
Encoder system	Encoder AM16DQ: absolute encoder 16 bits (resolution 65536, encoder-internal 32 S/R) + 12 bits multi-turn (traversing range 4096 revolutions)

MLFB-Ordering data

1FK7042-5AF71-1KH2

Figure similar

Optimum operating point

Optimum speed 3000 rpm

Optimum power 0.8 kW

Limiting data

Max. permissible speed (mech.) 9000 rpm

Max. permissible speed (inverter) 6500 rpm

Maximum torque 10.5 Nm

Maximum current 7.4 A

Holding brake

Holding brake version Permanent-magnet brake

Holding torque 4.0 Nm

Power supply voltage DC 24 V \pm 10 %

Coil current 0.5 A

Opening time 70 ms

Closing time 30 ms

Highest braking work 150 J

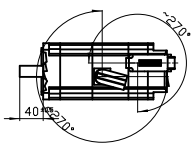
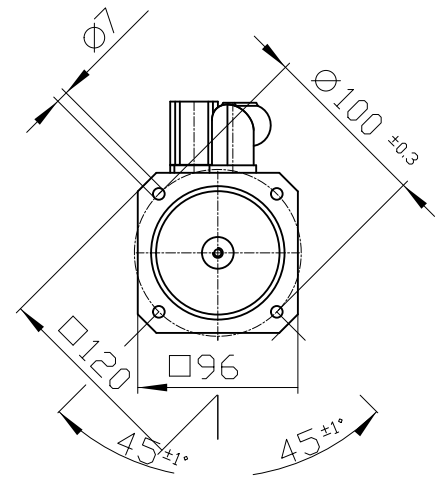
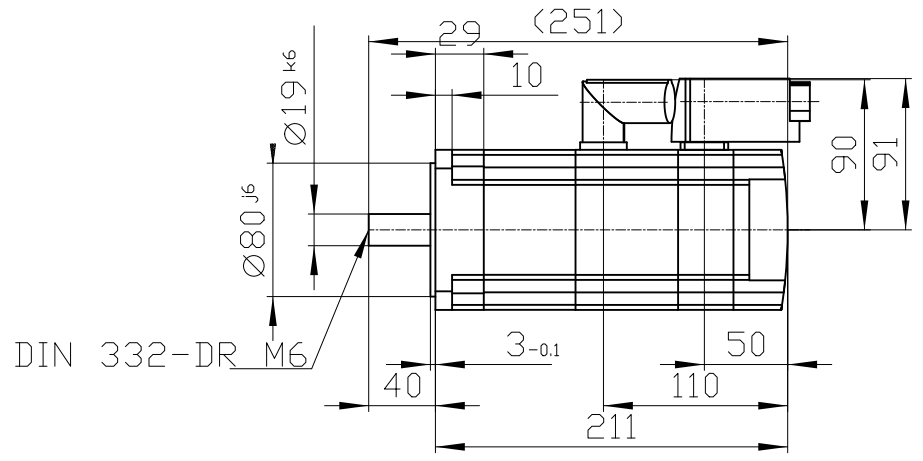
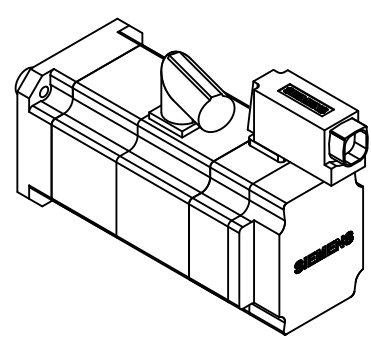
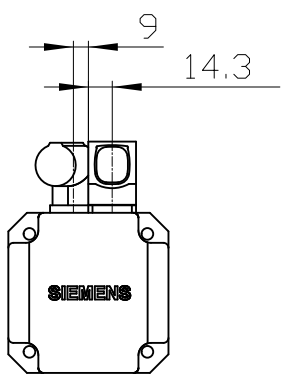
Recommended Motor Module

Rated inverter current 3 A

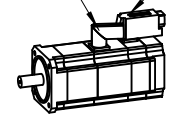
Maximum inverter current 6 A

Maximum torque 8.40 Nm

Copyright © Siemens AG 2005
 Code-drawing do not make any manual changes
 The reproduction or use of this document or its contents is not permitted without express written authority. Diffenders will be liable for damages. All rights, including rights created by patent grant or registration of a utility model or design, are reserved.
 Weitergabe sowie Vervielfältigung dieser Unterlage, Verwertung und Mitteilung ihres Inhalts nicht gestattet, soweit nicht ausdrücklich zugestanden. Zuwiderhandlungen verpflichten zu Schadenersatz. Alle Rechte vorbehalten, insbesondere fuer den Fall der Patenterteilung oder Gk-Entragung.
 Confide a titre de secret d'entreprise. Tous droits reserves. Confido como secreto industrial. Nos reservamos todos los derechos Comunicado como segredo empresarial. Reservados todos os direitos



Connector size 1 = M23;
 6-pole for power and brake 10-pole RJ45 socket



		-
Unit	mm (in)	1FK7042-5AF71-1KH2
Date	3/7/23	
SIEMENS AG		-
		DT