



Figure similar

MLFB-Ordering data

1FK7060-5AH71-1DA3

Client order no. :  
 Order no. :  
 Offer no. :  
 Remarks :

Item no. :  
 Consignment no. :  
 Project :

### Engineering data

### Mechanical data

Rated speed (100 K)	4500 rpm
Number of poles	8
Rated torque (100 K)	3.7 Nm
Rated current	4.1 A
Static torque (60 K)	5.00 Nm
Static torque (100 K)	6.00 Nm
Stall current (60 K)	5.10 A
Stall current (100 K)	6.20 A
Moment of inertia	7.950 kgcm <sup>2</sup>
Efficiency	90.0 %

Motor type	Permanent-magnet synchronous motor
Motor type	Compact
Shaft height	63
Cooling	Natural cooling
Radial runout tolerance	0.040 mm
Concentricity tolerance	0.10 mm
Axial runout tolerance	0.10 mm
Vibration severity grade	Grade A
Connector size	1
Degree of protection	IP64
Design acc. to Code I	IM B5 (IM V1, IM V3)
Temperature monitoring	KTY84 temperature sensor in the stator winding
Electrical connectors	Connectors for signals and power rotatable
Color of the housing	Standard (Anthracite RAL 7016)
Holding brake	without holding brake
Shaft end	Feather key
Encoder system	Encoder IC22DQ: incremental encoder 22 bits (resolution 4194304, encoder-internal 2048 S/R) + commutation position 11 bits

### Physical constants

Torque constant	0.95 Nm/A
Voltage constant at 20° C	60.5 V/1000*min <sup>-1</sup>
Winding resistance at 20° C	0.73 Ω
Rotating field inductance	7.0 mH
Electrical time constant	9.60 ms
Mechanical time constant	1.93 ms
Thermal time constant	30 min
Shaft torsional stiffness	42000 Nm/rad
Net weight of the motor	7.0 kg

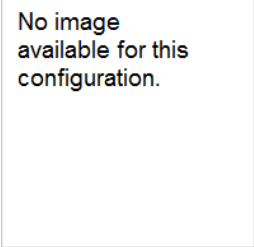


Figure similar

MLFB-Ordering data

1FK7060-5AH71-1DA3

Optimum operating point	
-------------------------	--

Optimum speed	4500 rpm
Optimum power	1.7 kW

Limiting data	
---------------	--

Max. permissible speed (mech.)	7200 rpm
Max. permissible speed (inverter)	9500 rpm
Maximum torque	18.0 Nm
Maximum current	19.5 A

Recommended Motor Module	
--------------------------	--

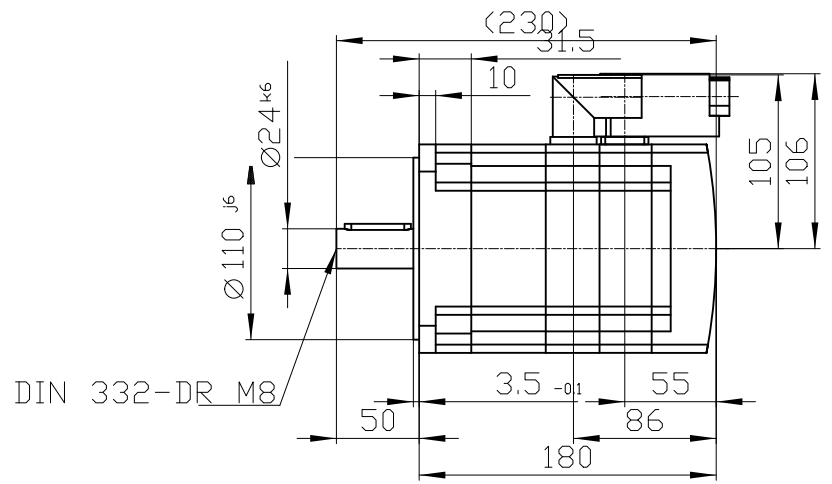
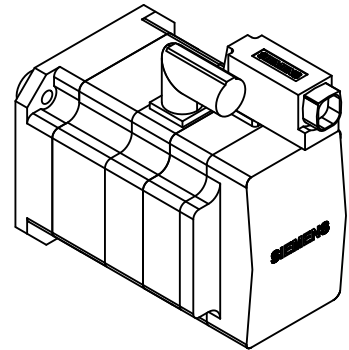
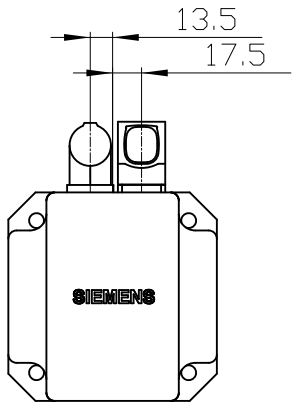
Rated inverter current	9 A
Maximum inverter current	18 A
Maximum torque	16.80 Nm

Copyright © Siemens AG 2005  
 Code-drawing do not make any manual changes

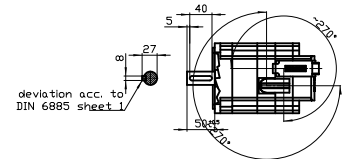
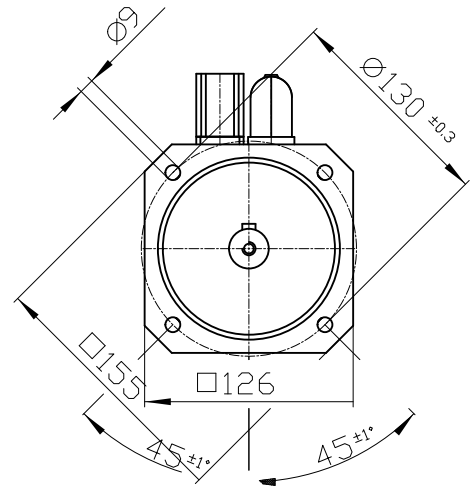
The reproduction or use of this document or its contents is not permitted without express written authority. Diffusers will be liable for damages. All rights, including rights created by patent grant or registration of a utility model or design, are reserved.

Weitergabe sowie Vervielfältigung dieser Unterlage, Verwertung und Mitteilung ihres Inhalts nicht gestattet, soweit nicht ausdrücklich zugestanden. Zuwiderhandlungen verpflichten zu Schadenersatz. Alle Rechte vorbehalten, insbesondere fuer den Fall der Patenterteilung oder Gk-Entragung.

Confite a titre de secret d'entreprise. Tous droits reserves. Confido como secreto industrial. Nos reservamos todos los derechos. Comunicado como segredo empresarial. Reservados todos os direitos.

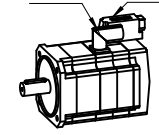


DIN 332-DR M8



deviation acc. to DIN 6885 sheet 1

Connector size 1 = M23;  
 6-pole for power and brake 10-pole RJ45 socket



		-
Unit	mm (in)	1FK7060-5AH71-1DA3
Date	3/27/23	
SIEMENS AG		-
		DT