

Data sheet for SIMOTICS S-1FK7



Figure similar

MLFB-Ordering data

1FK7063-2AH71-1RG0

Client order no. :

Order no. :

Offer no. :

Remarks :

Item no. :

Consignment no. :

Project :

Engineering data		Mechanical data			
Rated speed (100 K)	4500 rpm	Motor type	Permanent-magnet synchronous motor		
Number of poles	8	Motor type	Compact		
Rated torque (100 K)	3.0 Nm	Shaft height	63		
Rated current	3.8 A	Cooling	Natural cooling		
Static torque (60 K)	9.10 Nm	Radial runout tolerance	0.040 mm		
Static torque (100 K)	11.00 Nm	Concentricity tolerance	0.10 mm		
Stall current (60 K)	9.70 A	Axial runout tolerance	0.10 mm		
Stall current (100 K)	12.00 A	Vibration severity grade	Grade A		
Moment of inertia	14.700 kgcm ²	Connector size	1		
Efficiency	90.0 %	Degree of protection	IP64		
<th colspan="2">Physical constants</th>		Physical constants		Design acc. to Code I	IM B5 (IM V1, IM V3)
		Torque constant	0.92 Nm/A	Temperature monitoring	Pt1000 temperature sensor
		Voltage constant at 20° C	60.0 V/1000*min ⁻¹	Electrical connectors	Connectors for signals and power rotatable
		Winding resistance at 20° C	0.29 Ω	Color of the housing	Standard (Anthracite RAL 7016)
		Rotating field inductance	3.8 mH	Holding brake	without holding brake
		Electrical time constant	13.20 ms	Shaft end	Plain shaft
		Mechanical time constant	1.51 ms	Encoder system	Encoder AM20DQI: absolute encoder 20 bits (resolution 1048576, encoder-internal 512 S/R) + 12 bits multi-turn (traversing range 4096 revolutions)
		Thermal time constant	40 min		
		Shaft torsional stiffness	34000 Nm/rad		
		Net weight of the motor	11.1 kg		



Figure similar

MLFB-Ordering data

1FK7063-2AH71-1RG0

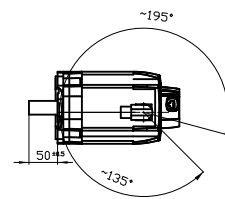
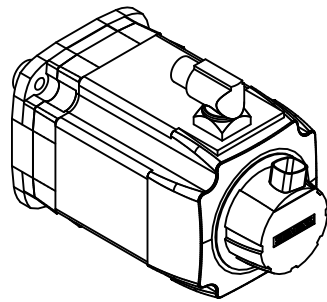
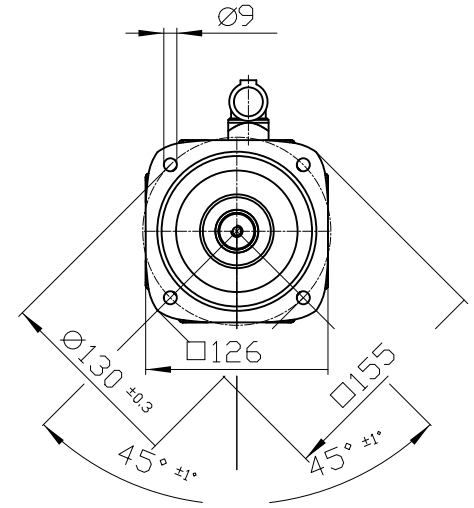
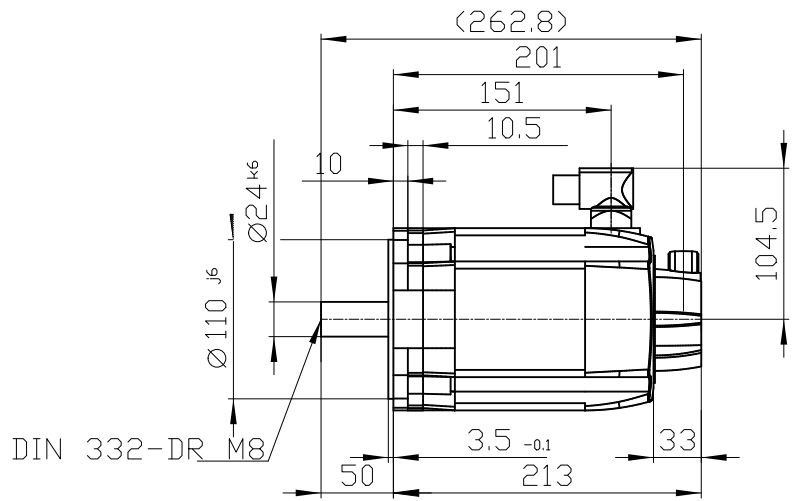
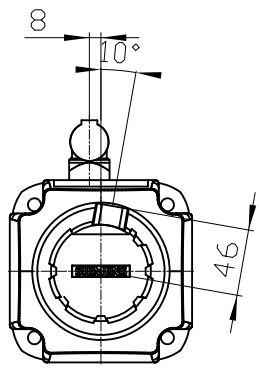
Optimum operating point		Recommended Motor Module	
Optimum speed	3300 rpm	Rated inverter current	18 A
Optimum power	2.3 kW	Maximum inverter current	54 A
Limiting data		Maximum torque	35.00 Nm
Max. permissible speed (mech.)	7200 rpm		
Max. permissible speed (inverter)	7200 rpm		
Maximum torque	35.0 Nm		
Maximum current	42.0 A		

Conflicto a titre de secret d'entreprise. Tous droits réservés.
 Conflicto como secreto industrial. Nos reservamos todos los derechos.
 Comunicado como segredo empresarial. Reservados todos os direitos.

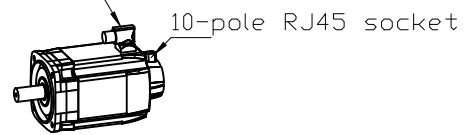
Weitergabe sowie Vervielfältigung dieser Unterlage, Verwertung und Mitteilung ihres Inhalts nicht gestattet, soweit nicht ausdrücklich zugestanden. Zuwiderhandlungen verpflichten zu Schadenersatz. Alle Rechte vorbehalten, insbesondere fuer den Fall der Patenterteilung oder Gk-Entragung.

The reproduction or use of this document or its contents is not permitted without express written authority. Offenders will be liable for damages. All rights, including rights created by patent grant or registration of a utility model or design, are reserved.

Copyright © Siemens AG 2005
 Copy-drawing do not make any manual changes



Connector size 1 = M23;
 6-pole for power and brake



		-
		-
Unit	mm (in)	1FK7063-2AH71-1RG0
Date	5/30/23	
SIEMENS AG		-
		DT