

Data sheet for SIMOTICS S-1FK7

MLFB-Ordering data

1FK7063-5AF71-1AG0

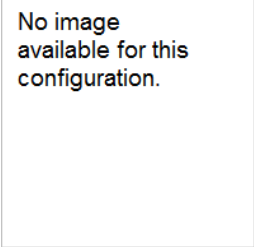


Figure similar

Client order no. :
Order no. :
Offer no. :
Remarks :

Item no. :
Consignment no. :
Project :

Engineering data

Rated speed (100 K)	3000 rpm
Number of poles	8
Rated torque (100 K)	7.3 Nm
Rated current	5.6 A
Static torque (60 K)	9.10 Nm
Static torque (100 K)	11.00 Nm
Stall current (60 K)	6.60 A
Stall current (100 K)	8.00 A
Moment of inertia	15.100 kgcm ²
Efficiency	91.0 %

Physical constants

Torque constant	1.37 Nm/A
Voltage constant at 20° C	87.5 V/1000*min ⁻¹
Winding resistance at 20° C	0.65 Ω
Rotating field inductance	7.7 mH
Electrical time constant	11.80 ms
Mechanical time constant	1.56 ms
Thermal time constant	40 min
Shaft torsional stiffness	35000 Nm/rad
Net weight of the motor	11.5 kg

Mechanical data

Motor type	Permanent-magnet synchronous motor
Motor type	Compact
Shaft height	63
Cooling	Natural cooling
Radial runout tolerance	0.040 mm
Concentricity tolerance	0.10 mm
Axial runout tolerance	0.10 mm
Vibration severity grade	Grade A
Connector size	1
Degree of protection	IP64
Design acc. to Code I	IM B5 (IM V1, IM V3)
Temperature monitoring	KTY84 temperature sensor in the stator winding
Electrical connectors	Connectors for signals and power rotatable
Color of the housing	without
Holding brake	without holding brake
Shaft end	Plain shaft
Encoder system	Encoder IC2048S/R: incremental encoder sin/cos 1 Vpp 2048 S/R with C and D track

MLFB-Ordering data

1FK7063-5AF71-1AG0

Figure similar

Optimum operating point

Optimum speed 3000 rpm

Optimum power 2.3 kW

Limiting data

Max. permissible speed (mech.) 7200 rpm

Max. permissible speed (inverter) 6600 rpm

Maximum torque 35.0 Nm

Maximum current 28.0 A

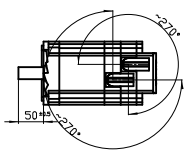
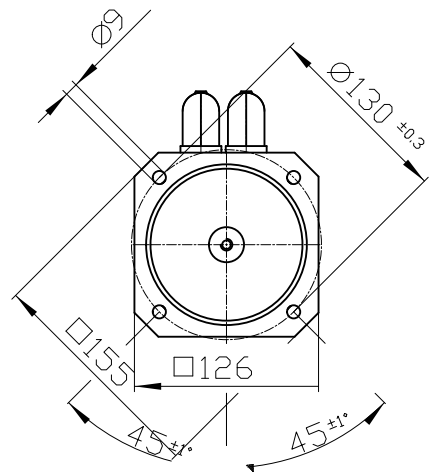
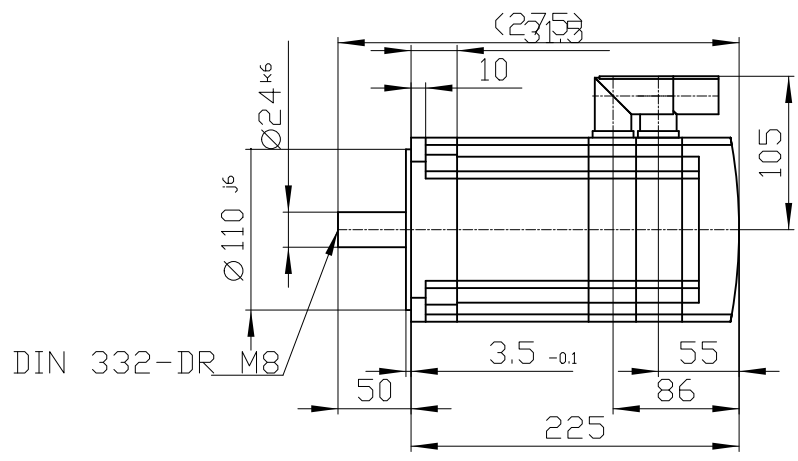
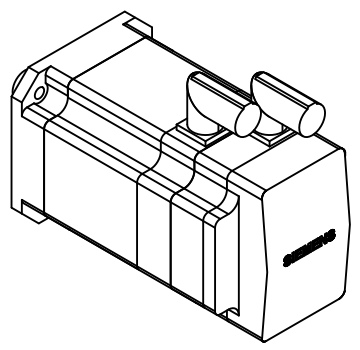
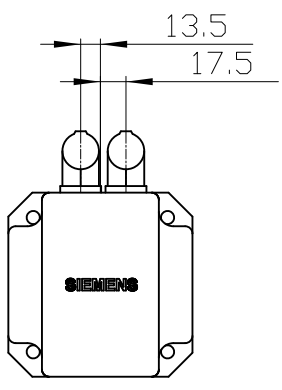
Recommended Motor Module

Rated inverter current 9 A

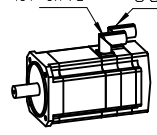
Maximum inverter current 18 A

Maximum torque 24.50 Nm

Copyright © Siemens AG 2005
 Code-drawing do not make any manual changes
 The reproduction or use of this document or its contents is not permitted without express written authority. Offenders will be liable for damages. All rights, including rights created by patent grant or registration of a utility model or design, are reserved.
 Weitergabe sowie Vervielfältigung dieser Unterlage, Verwertung und Mitteilung ihres Inhalts ist nicht gestattet, soweit nicht ausdrücklich zugestanden. Zuwiderhandlungen verpflichten zu Schadenersatz. Alle Rechte vorbehalten, insbesondere fuer den Fall der Patenterteilung oder Gk-Entragung.
 Confide a titre de secret d'entreprise. Tous droits reserves. Confido como secreto industrial. Nos reservamos todos los derechos Comunicado como segredo empresarial. Reservados todos os direitos



Connector size 1 = M23;
 6-pole for power and brake
 Connector size M23, 17-pole



		-
Unit	mm (in)	1FK7063-5AF71-1AG0
Date	2/15/23	
SIEMENS AG		-
		DT