



Figure similar

MLFB-Ordering data

1FK7063-5AF71-1EH3

Client order no. :
Order no. :
Offer no. :
Remarks :

Item no. :
Consignment no. :
Project :

Engineering data

Mechanical data

Rated speed (100 K)	3000 rpm
Number of poles	8
Rated torque (100 K)	7.3 Nm
Rated current	5.6 A
Static torque (60 K)	9.10 Nm
Static torque (100 K)	11.00 Nm
Stall current (60 K)	6.60 A
Stall current (100 K)	8.00 A
Moment of inertia	17.300 kgcm ²
Efficiency	91.0 %

Motor type	Permanent-magnet synchronous motor
Motor type	Compact
Shaft height	63
Cooling	Natural cooling
Radial runout tolerance	0.040 mm
Concentricity tolerance	0.10 mm
Axial runout tolerance	0.10 mm
Vibration severity grade	Grade A
Connector size	1
Degree of protection	IP64
Design acc. to Code I	IM B5 (IM V1, IM V3)
Temperature monitoring	KTY84 temperature sensor in the stator winding
Electrical connectors	Connectors for signals and power rotatable
Color of the housing	Standard (Anthracite RAL 7016)
Holding brake	with holding brake
Shaft end	Plain shaft
Encoder system	Encoder AM2048S/R: absolute encoder 2048 S/R, 4096 revolutions multi-turn, with EnDat interface

Physical constants

Torque constant	1.37 Nm/A
Voltage constant at 20° C	87.5 V/1000*min ⁻¹
Winding resistance at 20° C	0.65 Ω
Rotating field inductance	7.7 mH
Electrical time constant	11.80 ms
Mechanical time constant	1.56 ms
Thermal time constant	40 min
Shaft torsional stiffness	35000 Nm/rad
Net weight of the motor	12.0 kg

MLFB-Ordering data

1FK7063-5AF71-1EH3

Figure similar

Optimum operating point

Optimum speed	3000 rpm
Optimum power	2.3 kW

Limiting data

Max. permissible speed (mech.)	7200 rpm
Max. permissible speed (inverter)	6600 rpm
Maximum torque	35.0 Nm
Maximum current	28.0 A

Holding brake

Holding brake version	Permanent-magnet brake
Holding torque	13.0 Nm
Power supply voltage	DC 24 V \pm 10 %
Coil current	0.8 A
Opening time	100 ms
Closing time	50 ms
Highest braking work	380 J

Recommended Motor Module

Rated inverter current 9 A

Maximum inverter current 18 A

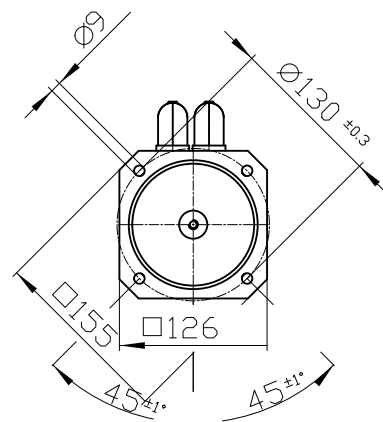
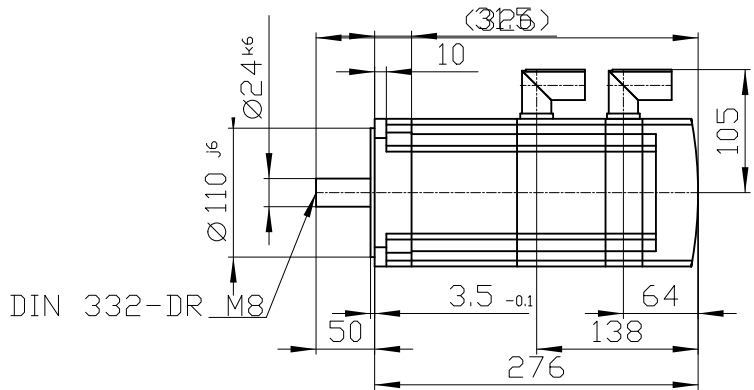
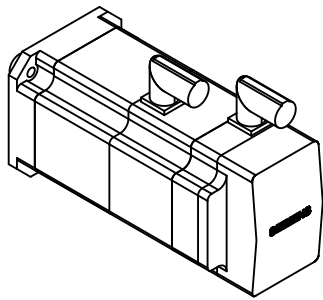
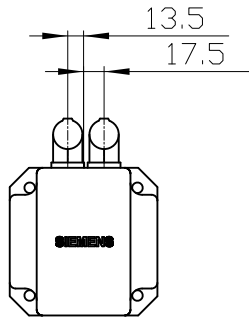
Maximum torque 24.50 Nm

Copyright © Siemens AG 2005
 Code-drawing do not make any manual changes

The reproduction or use of this document or its contents is not permitted without express written authority. Offenders will be liable for damages. All rights, including rights created by patent grant or registration of a utility model or design, are reserved.

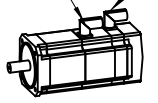
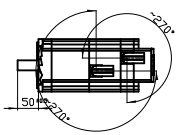
Weitergabe sowie Vervielfältigung dieser Unterlage, Verwertung und Mitteilung ihres Inhalts nicht gestattet, soweit nicht ausdrücklich zugestanden. Zuwiderhandlungen verpflichten zu Schadenersatz. Alle Rechte vorbehalten, insbesondere fuer den Fall der Patenterteilung oder Gk-Entragung.

Confié a titre de secret d'entreprise. Tous droits réservés. Confiado como secreto industrial. No reservamos todos los derechos. Comunicado como secreto empresarial. Reservados todos os direitos.



Connector size 1 = M23;
 6-pole for power and brake

Connector size M23, 17-pole



		-
Unit	mm (in)	1FK7063-5AF71-1EH3
Date	2/15/23	
SIEMENS AG		-
		DT