

Data sheet for SIMOTICS S-1FK7



Figure similar

MLFB-Ordering data

1FK7083-2AH74-1AB0

Client order no. :

Order no. :

Offer no. :

Remarks :

Item no. :

Consignment no. :

Project :

Engineering data		Mechanical data	
Rated speed (100 K)	4500 rpm	Motor type	Permanent-magnet synchronous motor
Number of poles	8	Motor type	Compact
Rated torque (100 K)	3.0 Nm	Shaft height	80
Rated current	3.6 A	Cooling	Natural cooling
Static torque (60 K)	13.30 Nm	Radial runout tolerance	0.050 mm
Static torque (100 K)	16.00 Nm	Concentricity tolerance	0.10 mm
Stall current (60 K)	12.20 A	Axial runout tolerance	0.10 mm
Stall current (100 K)	15.00 A	Vibration severity grade	Grade A
Moment of inertia	29.500 kgcm ²	Connector size	1
Efficiency	93.0 %	Degree of protection	IP64
Physical constants		Design acc. to Code I	IM B5 (IM V1, IM V3)
		Temperature monitoring	Pt1000 temperature sensor
Torque constant	1.06 Nm/A	Electrical connectors	Connectors for signals and power rotatable
Voltage constant at 20° C	69.0 V/1000*min ⁻¹	Color of the housing	Standard (Anthracite RAL 7016)
Winding resistance at 20° C	0.17 Ω	Holding brake	with holding brake
Rotating field inductance	3.2 mH	Shaft end	Feather key
Electrical time constant	19.30 ms	Encoder system	Encoder IC2048S/R: incremental encoder sin/cos 1 Vpp 2048 S/R with C and D track
Mechanical time constant	1.14 ms		
Thermal time constant	50 min		
Shaft torsional stiffness	72000 Nm/rad		
Net weight of the motor	18.6 kg		



Figure similar

MLFB-Ordering data

1FK7083-2AH74-1AB0

Optimum operating point

Optimum speed	3000 rpm
Optimum power	3.3 kW

Limiting data

Max. permissible speed (mech.)	6000 rpm
Max. permissible speed (inverter)	6000 rpm
Maximum torque	50.0 Nm
Maximum current	55.0 A

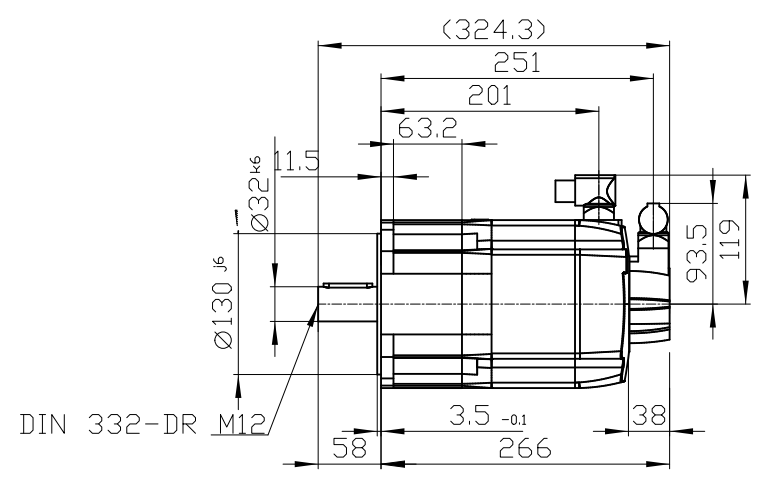
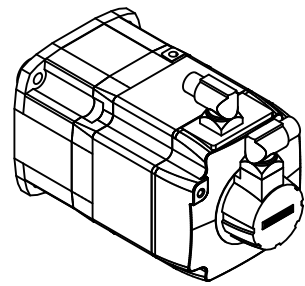
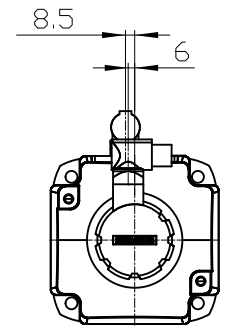
Holding brake

Holding brake version	Permanent-magnet brake
Holding torque	22.0 Nm
Power supply voltage	DC 24 V \pm 10 %
Coil current	0.9 A
Opening time	200 ms
Closing time	60 ms
Highest braking work	1400 J

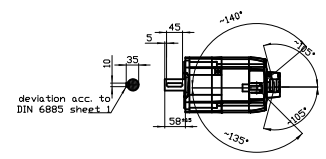
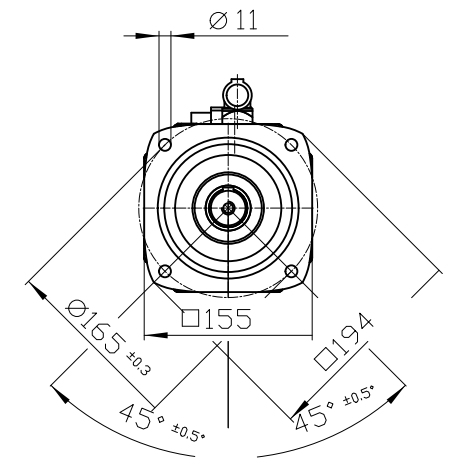
Recommended Motor Module

Rated inverter current	18 A
Maximum inverter current	54 A
Maximum torque	49.30 Nm

Copyright © Siemens AG 2005
 Code-drawing do not make any manual changes
 The reproduction or use of this document or its contents is not permitted without express written authority. Offenders will be liable for damages. All rights, including rights created by patent grant or registration of a utility model or design, are reserved.
 Weitergabe sowie Vervielfältigung dieser Unterlage, Verwertung und Mitteilung ihres Inhalts nicht gestattet, soweit nicht ausdrücklich zugestanden. Zuwiderhandlungen verpflichten zu Schadenersatz. Alle Rechte vorbehalten, insbesondere fuer den Fall der Patenterteilung oder Gk-Entragung.
 Confiado como secreto industrial. No reservados todos los derechos Comunicado como secreto empresarial. Reservados todos os direitos. Confie a titre de secret d'entreprise. Tous droits reserves.

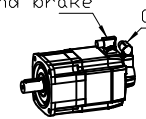


DIN 332-DR M12



deviation acc. to DIN 6885 sheet 1

Connector size 1 = M23; 6-pole for power and brake



Connector size M23, 17-pole

		-
Unit	mm (in)	1FK7083-2AH74-1AB0
Date	7/5/23	
SIEMENS AG		-
		DT