

Figure similar

MLFB-Ordering data

1FK7083-5AF71-1SB0

Client order no. :
Order no. :
Offer no. :
Remarks :

Item no. :
Consignment no. :
Project :

Engineering data

Rated speed (100 K)	3000 rpm
Number of poles	8
Rated torque (100 K)	10.5 Nm
Rated current	7.4 A
Static torque (60 K)	13.30 Nm
Static torque (100 K)	16.00 Nm
Stall current (60 K)	8.60 A
Stall current (100 K)	10.40 A
Moment of inertia	35.900 kgcm ²
Efficiency	93.0 %

Physical constants

Torque constant	1.52 Nm/A
Voltage constant at 20° C	97.0 V/1000*min ⁻¹
Winding resistance at 20° C	0.40 Ω
Rotating field inductance	6.0 mH
Electrical time constant	15.50 ms
Mechanical time constant	1.41 ms
Thermal time constant	50 min
Shaft torsional stiffness	105000 Nm/rad
Net weight of the motor	16.5 kg

Mechanical data

Motor type	Permanent-magnet synchronous motor
Motor type	Compact
Shaft height	80
Cooling	Natural cooling
Radial runout tolerance	0.050 mm
Concentricity tolerance	0.10 mm
Axial runout tolerance	0.10 mm
Vibration severity grade	Grade A
Connector size	1
Degree of protection	IP64
Design acc. to Code I	IM B5 (IM V1, IM V3)
Temperature monitoring	KTY84 temperature sensor in the stator winding
Electrical connectors	Connectors for signals and power rotatable
Color of the housing	without
Holding brake	with holding brake
Shaft end	Feather key
Encoder system	Multi-pole resolver (number of pole pairs corresponds to number of pole pairs of the motor)

MLFB-Ordering data

1FK7083-5AF71-1SB0

Figure similar

Optimum operating point

Optimum speed	3000 rpm
Optimum power	3.3 kW

Limiting data

Max. permissible speed (mech.)	6000 rpm
Max. permissible speed (inverter)	5900 rpm
Maximum torque	50.0 Nm
Maximum current	37.0 A

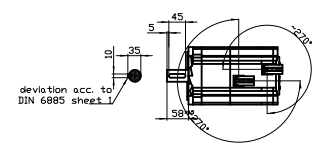
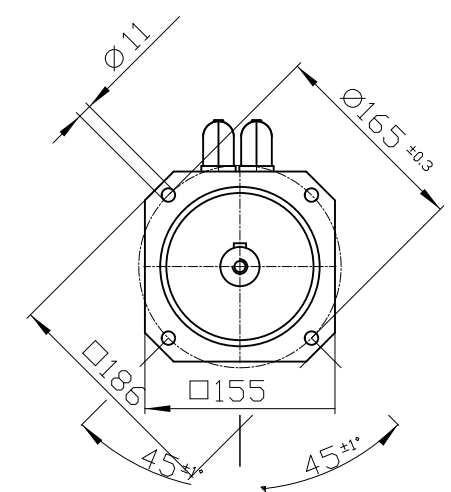
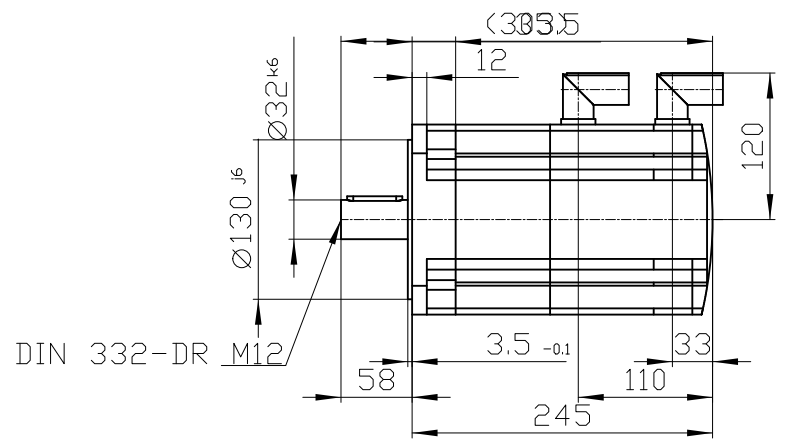
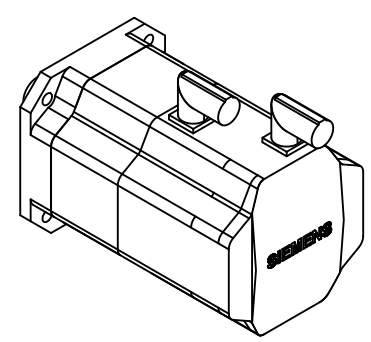
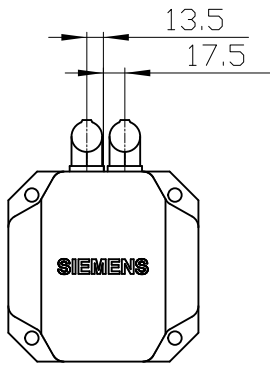
Holding brake

Holding brake version	Permanent-magnet brake
Holding torque	22.0 Nm
Power supply voltage	DC 24 V \pm 10 %
Coil current	0.9 A
Opening time	200 ms
Closing time	60 ms
Highest braking work	1400 J

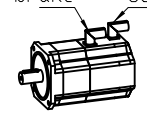
Recommended Motor Module

Rated inverter current	9 A
Maximum inverter current	18 A
Maximum torque	27.80 Nm

Copyright © Siemens AG 2005
 Code-drawing do not make any manual changes
 The reproduction or use of this document or its contents is not permitted without express written authority. Offenders will be liable for damages. All rights, including rights created by patent grant or registration of a utility model or design, are reserved.
 Weitergabe sowie Vervielfältigung dieser Unterlage, Verwertung und Mitteilung ihres Inhalts nicht gestattet, soweit nicht ausdrücklich zugestanden. Zuwahlungen verpflichten zu Schadenersatz. Alle Rechte vorbehalten, insbesondere fuer den Fall der Patenterteilung oder Gk-Entragung.
 Confiado como secreto industrial. No reservamos todos los derechos. Comunicado como secreto empresarial. Reservados todos os direitos. Confie a titre de secret d'entreprise. Tous droits reserves.



Connector size 1 = M23;
 6-pole for power and brake



Connector size M23, 12-pole

		-
Unit	mm (in)	1FK7083-5AF71-1SB0
Date	7/3/23	
SIEMENS AG		-
		DT