

Data sheet for SIMOTICS S-1FK7



Figure similar

MLFB-Ordering data

1FK7105-2AF71-1RA1

Client order no. :

Order no. :

Offer no. :

Remarks :

Item no. :

Consignment no. :

Project :

Engineering data		Mechanical data	
Rated speed (100 K)	3000 rpm	Motor type	Permanent-magnet synchronous motor
Number of poles	8	Motor type	Compact
Rated torque (100 K)	26.0 Nm	Shaft height	100
Rated current	18.0 A	Cooling	Natural cooling
Static torque (60 K)	40.00 Nm	Radial runout tolerance	0.050 mm
Static torque (100 K)	48.00 Nm	Concentricity tolerance	0.10 mm
Stall current (60 K)	25.00 A	Axial runout tolerance	0.10 mm
Stall current (100 K)	31.00 A	Vibration severity grade	Grade A
Moment of inertia	154.000 kgcm ²	Connector size	1.5
Efficiency	94.0 %	Degree of protection	IP65
		Design acc. to Code I	IM B5 (IM V1, IM V3)
		Temperature monitoring	Pt1000 temperature sensor
		Electrical connectors	Connectors for signals and power rotatable
		Color of the housing	Standard (Anthracite RAL 7016)
		Holding brake	without holding brake
		Shaft end	Feather key
		Encoder system	Encoder AM20DQI: absolute encoder 20 bits (resolution 1048576, encoder-internal 512 S/R) + 12 bits multi-turn (traversing range 4096 revolutions)
Physical constants			
Torque constant	1.55 Nm/A		
Voltage constant at 20° C	102.0 V/1000*min ⁻¹		
Winding resistance at 20° C	0.07 Ω		
Rotating field inductance	1.9 mH		
Electrical time constant	26.00 ms		
Mechanical time constant	1.40 ms		
Thermal time constant	70 min		
Shaft torsional stiffness	125000 Nm/rad		
Net weight of the motor	39.0 kg		



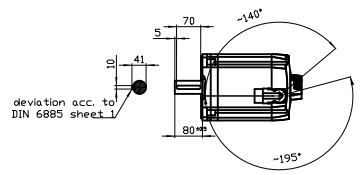
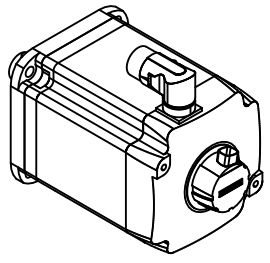
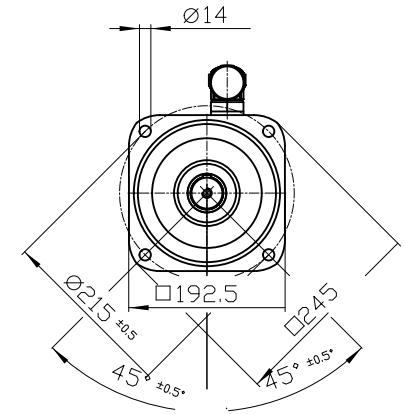
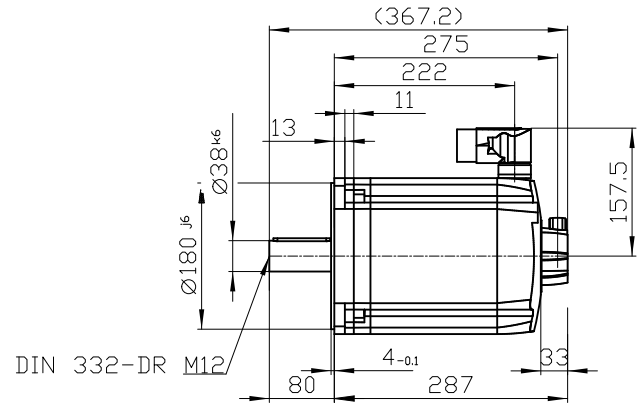
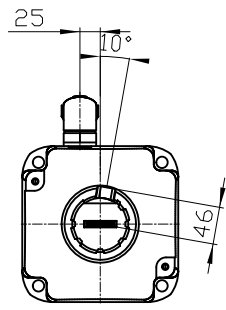
Figure similar

MLFB-Ordering data

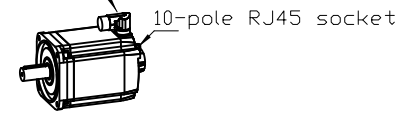
1FK7105-2AF71-1RA1

Optimum operating point		Recommended Motor Module	
Optimum speed	3000 rpm	Rated inverter current	30 A
Optimum power	8.2 kW	Maximum inverter current	90 A
Limiting data		Maximum torque	129.70 Nm
Max. permissible speed (mech.)	5000 rpm		
Max. permissible speed (inverter)	5000 rpm		
Maximum torque	150.0 Nm		
Maximum current	109.0 A		

Copyright © Siemens AG 2005
 Code-drawing do not make any manual changes
 The reproduction or use of this document or its contents is not permitted without express written authority. Offenders will be liable for damages. All rights, including rights created by patent grant or registration of a utility model or design, are reserved.
 Weitergabe sowie Vervielfältigung dieser Unterlage, Vervielfältigung und Mitteilung ihres Inhalts nicht gestattet, soweit nicht ausdrücklich zugestanden. Zuwiderhandlungen verpflichten zu Schadenersatz. Alle Rechte vorbehalten, insbesondere fuer den Fall der Patenterteilung oder Gk-Entragung.
 Confido a titre de secret d'entreprise. Tous droits reserves. Confiado como secreto industrial. Nos reservamos todos los derechos Comunicado como segredo empresarial. Reservados todos os direitos



Connector size 1.5 = M40;
 6-pole for power and brake



		-
Unit	mm (in)	1FK7105-2AF71-1RA1
Date	7/28/23	
SIEMENS AG		-
		DT