



Figure similar

Data sheet for SIMOTICS M-1PH8

Article No. : 1PH8105-1JF12-2BA1

Client order no. :
Order no. :
Offer no. :
Remarks :

Item no. :
Consignment no. :
Project :

Engineering data

		P_N [kW]	M_N [Nm]	I_N [A]	U_N [V]	f_N [Hz]	n_N [rpm]	M_{max} [Nm]	I_{max} [A]	n_{max} [rpm]	M_0 [Nm]	I_0 [A]	η	$\cos \phi$	I_{μ} [A]
Y	ALM 400V	8.0	44.0	17.5	400	60.2	1,750	95	38.0	9,000	52.0	20	0.878	0.780	8.8
	BLM/SLM 400V	7.0	45.0	17.5	348	51.9	1,500	95	38.0	9,000	52.0	20	0.867	0.790	8.8
	ALM/BLM/SLM 480V	9.0	43.0	17.0	453	68.5	2,000	95	38.0	9,000	52.0	20	0.911	0.780	8.7

Mechanical data

Motor type	Squirrel cage asynchronous motor
Shaft height	100
Cooling	Forced ventilation NDE -> DE
Vibration severity grade	R/A
Shaft and flange accuracy	R
Degree of protection	IP55
Design acc. to Code I	IM B5 (IM V1, IM V3)
Temperature monitoring	KTY84 temperature sensor in the stator winding
Color	Standard (Anthracite RAL 7016)
Type of the bearing	Standard with fixed bearing
Shaft end	Feather key with half key balancing
Encoder system	Incremental encoder HTL 2048 S/R, max. encoder speed = 4600 rpm

External fan

Max. power consumption

3 AC 400 V / 50 Hz ($\pm 10\%$)	0.12 A
3 AC 400 V / 60 Hz ($\pm 10\%$)	0.09 A
3 AC 480 V / 60 Hz ($\pm 10\%$)	0.12 A

¹⁾ at a rated frequency of 4 kHz and a speed range of up to 5000 rpm

Physical constants

Thermal time constant	20 min
Moment of inertia	252 kgcm ²
Weight (approx.)	65 kg

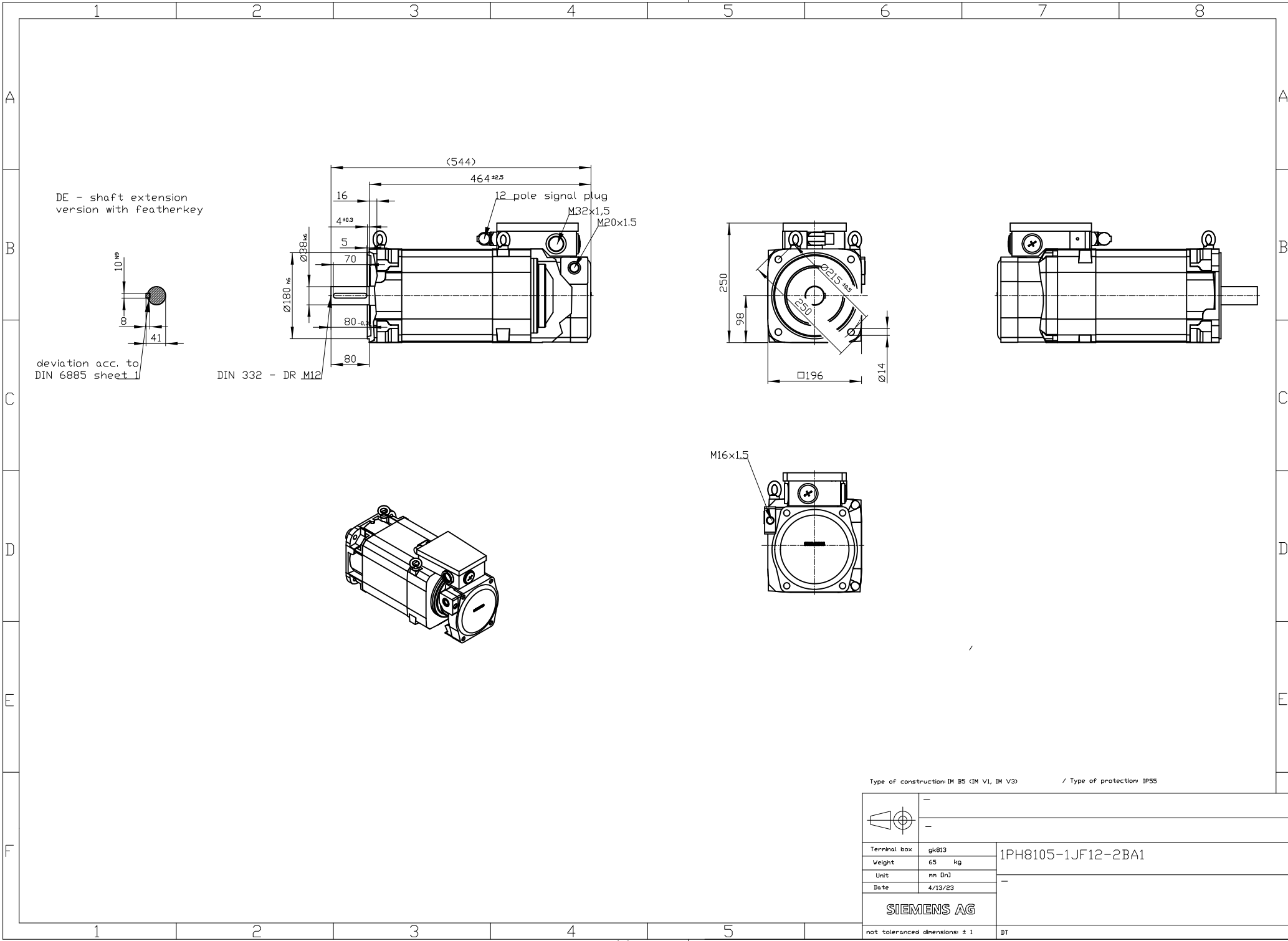
Connection

Type of electrical connection	Terminal box
Position of the connection	NDE top
Power connection	right
Signal connection	DE
Terminal box designation	gk813

Cooling data and sound pressure level

Airflow, min.	0.04 m ³ /s
Sound pressure level LpA(1m) motor + external fan operation 50 HZ rated load, tolerance + 3dB	70 dB ¹⁾
Air discharge	axial
Pressure drop	110 Pa

Copyright © Siemens AG 2005
 Code-drawing do not make any manual changes
 The reproduction or use of this document or its contents is not permitted without express written authority. Offenders will be liable for damages. All rights, including rights created by patent grant or registration of a utility model or design, are reserved.
 Weitergabe sowie Vervielfältigung dieser Unterlage, Vervielfältigung und Mitteilung ihres Inhalts nicht gestattet, soweit nicht ausdrücklich zugestanden. Zuwiderhandlungen verpflichten zu Schadenersatz. Alle Rechte vorbehalten, insbesondere fuer den Fall der Patenterteilung oder Gk-Entragung.
 Confiado como secreto industrial. No reservados todos los derechos. Comunicado como secreto empresarial. Reservados todos los derechos. Confié a titre de secret d'entreprise. Tous droits réservés.



Type of construction IM B5 (IM V1, IM V3) / Type of protection: IP55

	-	
Terminal box	gk813	1PH8105-1JF12-2BA1
Weight	65 kg	
Unit	mm (in)	
Date	4/13/23	
SIEMENS AG		
not toleranced dimensions: ± 1		DT