



Figure similar

Data sheet for SIMOTICS M-1PH8

Article No. : 1PH8107-1ED10-2BA1

Client order no. :
Order no. :
Offer no. :
Remarks :

Item no. :
Consignment no. :
Project :

Engineering data

		P_N [kW]	M_N [Nm]	I_N [A]	U_N [V]	f_N [Hz]	n_N [rpm]	M_{max} [Nm]	I_{max} [A]	n_{max} [rpm]	M_0 [Nm]	I_0 [A]	η	$\cos \phi$	I_{μ} [A]
Y	ALM 400V	7.2	60.0	17.5	348	40.6	1,150	135	40.0	9,000	63.0	25	0.852	0.820	8.2
	BLM/SLM 400V	6.3	60.0	17.5	307	35.5	1,000	135	40.0	9,000	63.0	25	0.834	0.820	8.2
	ALM/BLM/SLM 480V	8.0	57.0	17.0	400	47.1	1,350	135	40.0	9,000	63.0	25	0.867	0.800	8.2

Mechanical data

Motor type	Squirrel cage asynchronous motor
Shaft height	100
Cooling	Forced ventilation NDE -> DE
Vibration severity grade	R/A
Shaft and flange accuracy	R
Degree of protection	IP55
Design acc. to Code I	IM B3 (IM V5, IM V6)
Temperature monitoring	KTY84 temperature sensor in the stator winding
Color	Standard (Anthracite RAL 7016)
Type of the bearing	Standard with fixed bearing
Shaft end	Feather key with half key balancing
Encoder system	Absolut encoder EnDat 2048 S/R, max. encoder speed = 12000 rpm

External fan

Max. power consumption

3 AC 400 V / 50 Hz ($\pm 10\%$)	0.12 A
3 AC 400 V / 60 Hz ($\pm 10\%$)	0.09 A
3 AC 480 V / 60 Hz ($\pm 10\%$)	0.12 A

¹⁾ at a rated frequency of 4 kHz and a speed range of up to 5000 rpm

Physical constants

Thermal time constant	20 min
Moment of inertia	289 kgcm ²
Weight (approx.)	73 kg

Connection

Type of electrical connection	Terminal box
Position of the connection	NDE top
Power connection	right
Signal connection	DE
Terminal box designation	gk813

Cooling data and sound pressure level

Airflow, min.	0.04 m ³ /s
Sound pressure level LpA(1m) motor + external fan operation 50 HZ rated load, tolerance + 3dB	70 dB ¹⁾
Air discharge	axial
Pressure drop	110 Pa

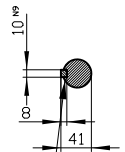
Copyright © Siemens AG 2005
 Code-drawing do not make any manual changes

The reproduction or use of this document or its contents is not permitted without express written authority. Offenders will be liable for damages. All rights, including rights created by patent grant or registration of a utility model or design, are reserved.

Weitergabe sowie Vervielfältigung dieser Unterlage, Vervielfältigung und Mitteilung ihres Inhalts nicht gestattet, soweit nicht ausdrücklich zugestanden. Zuwiderhandlungen verpflichten zu Schadenersatz. Alle Rechte vorbehalten, insbesondere fuer den Fall der Patenterteilung oder Gk-Entragung.

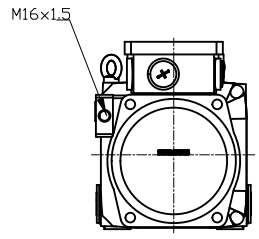
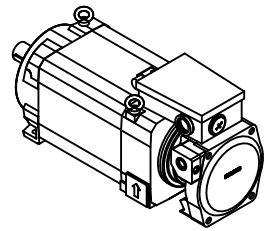
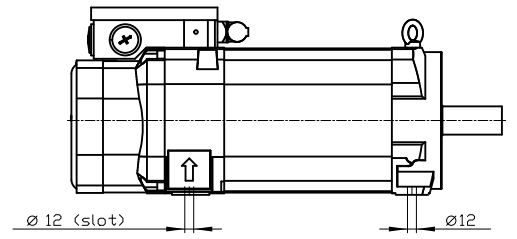
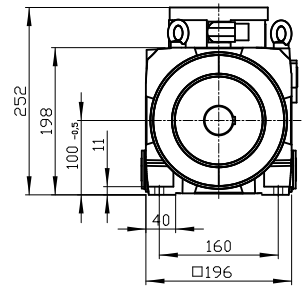
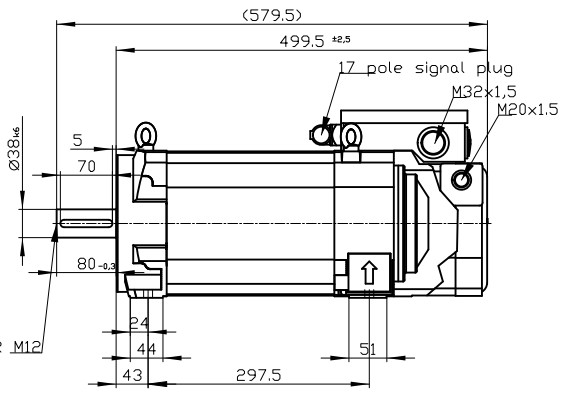
Confie a titre de secret d'entreprise. Tous droits reserves. Confiado como secreto industrial. Nos reservamos todos los derechos Comunicado como segredo empresarial. Reservados todos os direitos

DE - shaft extension version with featherkey



deviation acc. to DIN 6885 sheet 1

DIN 332 - DR M12



Type of construction: IM B3 (IM V5, IM V6) / Type of protection: IP55

	-	
Terminal box	gk813	1PH8107-1ED10-2BA1
Weight	73 kg	
Unit	mm (in)	
Date	4/14/23	
SIEMENS AG		
not toleranced dimensions: ± 1		DT