

Data sheet for SIMOTICS M-1PH8

Article No. : 1PH8131-1MS02-0LA1



Figure similar

Client order no. :
Order no. :
Offer no. :
Remarks :

Item no. :
Consignment no. :
Project :

Engineering data

		P _N [kW]	M _N [Nm]	I _N [A]	U _N [V]	f _N [Hz]	n _N [rpm]	M _{max} [Nm]	I _{max} [A]	n _{max} [rpm]	M ₀ [Nm]	I ₀ [A]	η	cos φ	I _μ [A]
Y	ALM 400V	14.6	70.0	39.0	302	68.2	2,000	200	111.0	10,000	94.0	47	0.908	0.840	15.9
	BLM/SLM 400V	11.0	70.0	39.0	227	51.5	1,500	200	111.0	10,000	94.0	47	0.884	0.850	15.1
	ALM/BLM/SLM 480V	18.0	69.0	38.0	372	84.8	2,500	200	111.0	10,000	94.0	47	0.922	0.840	15.6
Δ	ALM 400V	14.6	28.0	40.0	360	167.5	5,000	80	114.0	10,000	55.0	56	0.897	0.780	18.5
	BLM/SLM 400V	11.0	28.0	40.0	285	134.1	4,000	80	114.0	10,000	55.0	56	0.893	0.750	18.1
	ALM/BLM/SLM 480V	18.0	29.0	35.0	453	200.8	6,000	80	114.0	10,000	55.0	56	0.908	0.750	20.2

Mechanical data

Motor type	Squirrel cage asynchronous motor
Shaft height	132
Cooling	Forced ventilation DE -> NDE
Vibration severity grade	SPECIAL/B
Shaft and flange accuracy	SPECIAL
Degree of protection	IP55
Design acc. to Code I	IM B5 (IM V1, IM V3)
Temperature monitoring	KTY84 temperature sensor in the stator winding
Color	Standard (Anthracite RAL 7016)
Type of the bearing	Performance
Shaft end	Plain shaft
Encoder system	Incremental encoder sin/cos 1Vpp 2048 S/R with C- and D-Spur, max. encoder speed = 12000 rpm

External fan

Max. power consumption

3 AC 400 V / 50 Hz (±10%)	0.21 A
3 AC 400 V / 60 Hz (±10%)	0.19 A
3 AC 480 V / 60 Hz (±10%)	0.23 A

¹⁾ at a rated frequency of 4 kHz and a speed range of up to 5000 rpm

Physical constants

Thermal time constant	30 min
Moment of inertia	590 kgcm ²
Weight (approx.)	89 kg

Connection

Type of electrical connection	Terminal box
Position of the connection	NDE top
Power connection	right
Signal connection	DE
Terminal box designation	gk846

Cooling data and sound pressure level

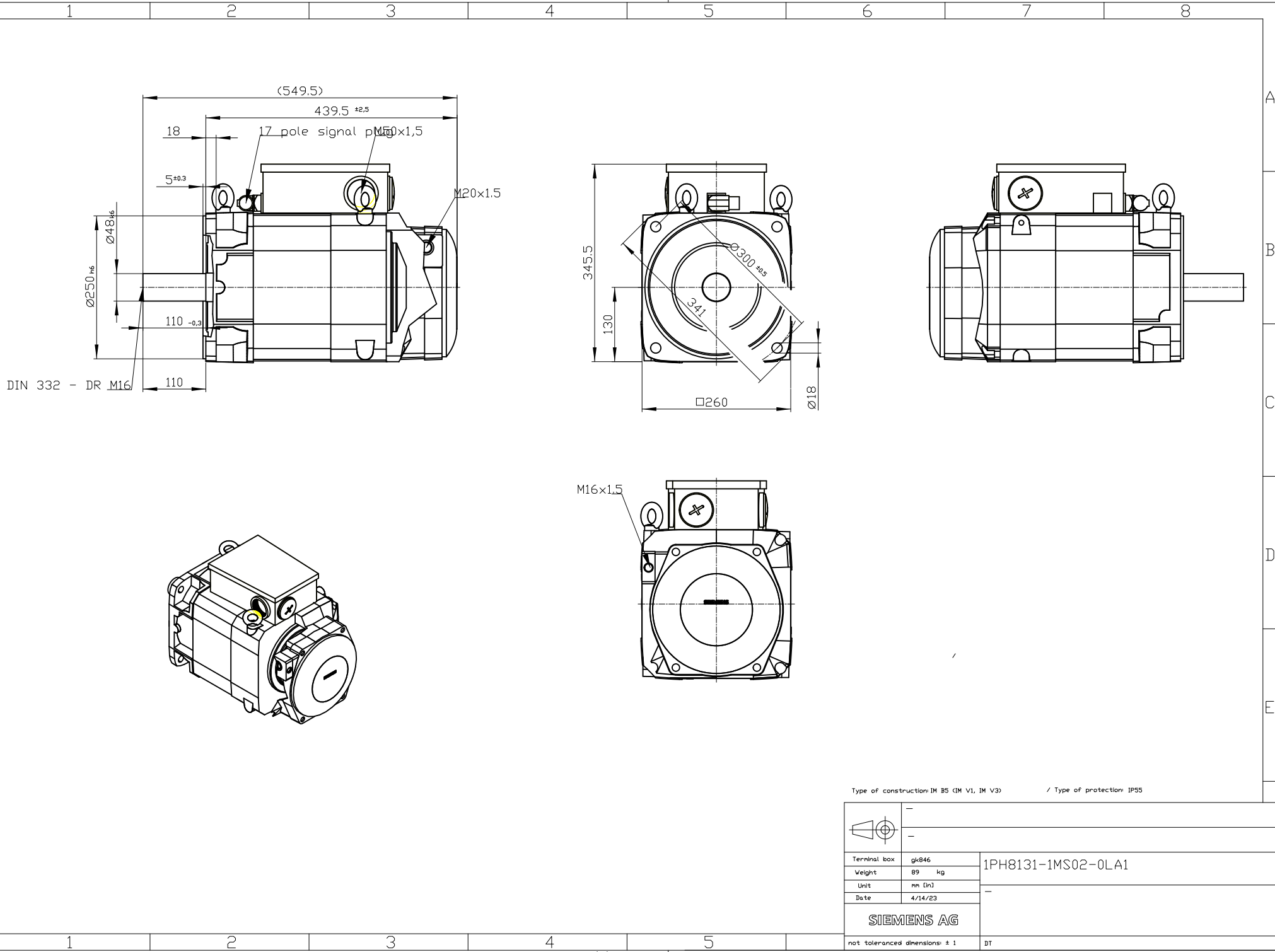
Airflow, min.	0.09 m ³ /s
Sound pressure level LpA(1m) motor + external fan operation 50 HZ rated load, tolerance + 3dB	70 dB ¹⁾
Air discharge	axial
Pressure drop	140 Pa

Confie a titre de secret d'entreprise. Tous droits réservés.
 Confiado como secreto industrial. Nos reservamos todos los derechos.
 Comunicado como segredo empresarial. Reservados todos os direitos.

Weitergabe sowie Vervielfältigung dieser Unterlage, Verwertung und Mitteilung ihres Inhalts nicht gestattet, soweit nicht ausdrücklich zugestanden. Zuwiderhandlungen verpflichten zu Schadenersatz. Alle Rechte vorbehalten, insbesondere fuer den Fall der Patenterteilung oder Gk-Entragung.

The reproduction or use of this document or its contents is not permitted without express written authority. Diffenders will be liable for damages. All rights, including rights created by patent grant or registration of a utility model or design, are reserved.

Copyright © Siemens AG 2005
 Copy-drawing do not make any manual changes



Type of construction: IM B5 (IM V1, IM V3) / Type of protection: IP55

	-	
Terminal box	gk846	1PH8131-1MS02-0LA1
Weight	89 kg	
Unit	mm (in)	
Date	4/14/23	
SIEMENS AG		
not toleranced dimensions: ± 1		DT