



Figure similar

Data sheet for SIMOTICS M-1PH8

Article No. : 1PH8228-1DC03-2BA1

Client order no. :
Order no. :
Offer no. :
Remarks :

Item no. :
Consignment no. :
Project :

Engineering data

		P _N [kW]	M _N [Nm]	I _N [A]	U _N [V]	f _N [Hz]	n _N [rpm]	M _{max} [Nm]	I _{max} [A]	n _{max} [rpm]	M ₀ [Nm]	I ₀ [A]	η	cos φ	I _μ [A]
Y	ALM 400V	92.0	1,098.0	182.0	360	27.2	800	2,750	445.0	4,500	1,098.0	182	0.941	0.860	80.0
	BLM/SLM 400V	82.0	1,119.0	188.0	315	23.8	700	2,750	445.0	4,500	1,119.0	188	0.933	0.860	80.0
	ALM/BLM/SLM 480V	115.0	1,098.0	182.0	450	33.8	1,000	2,750	445.0	4,500	1,098.0	182	0.949	0.850	82.0

Mechanical data

Motor type	Squirrel cage asynchronous motor
Shaft height	225
Cooling	Forced ventilation DE -> NDE
Vibration severity grade	R/A
Shaft and flange accuracy	R
Degree of protection	IP55
Design acc. to Code I	IM B35 with A550 flange (IM V35)
Temperature monitoring	Pt1000 temperature sensor in the stator winding
Color	Standard (Anthracite RAL 7016)
Type of the bearing	Standard
Shaft end	Feather key with half key balancing
Encoder system	Incremental encoder 22 bit with commutation position 11 bit, max. encoder speed = 12000 rpm

External fan

Max. power consumption

1 AC 200 ... 277 V (±10%) 50/60 Hz ±10% 2.0 ... 2.3 A

¹⁾ at a rated frequency of 2 kHz and a speed range of up to 3500 rpm

Physical constants

Thermal time constant	55 min
Moment of inertia	23,300 kgcm ²
Weight (approx.)	870 kg

Connection

Type of electrical connection	Terminal box
Position of the connection	NDE top
Power connection	right
Signal connection	DE
Terminal box designation	1XB7322-P05

Cooling data and sound pressure level

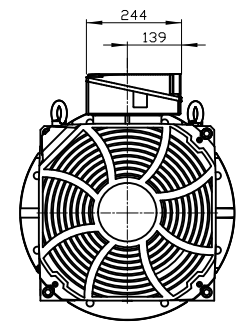
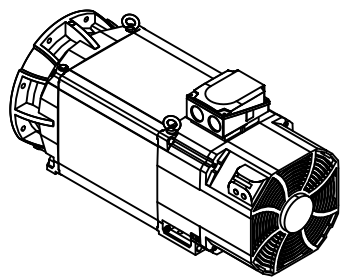
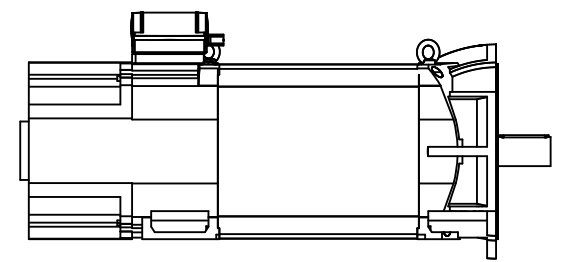
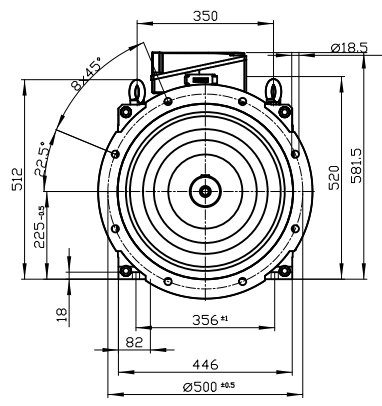
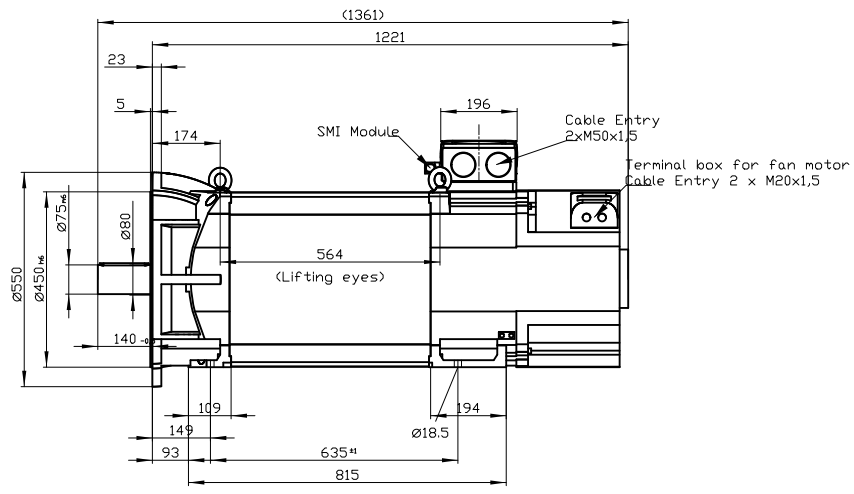
Airflow, min.	0.31 m ³ /s
Sound pressure level L _p A(1m) motor + external fan operation 50 HZ rated load, tolerance + 3dB	73 dB ¹⁾
Air discharge	axial
Pressure drop	650 Pa

Confie a titre de secret d'entreprise. Tous droits réservés.
 Confiado como secreto industrial. Nos reservamos todos los derechos.
 Comunicado como segredo empresarial. Reservados todos os direitos.

Weitergabe sowie Vervielfältigung dieser Unterlage, Verwertung und Mitteilung ihres Inhalts nicht gestattet, soweit nicht ausdrücklich zugestanden. Zuwiderhandlungen verpflichten zu Schadenersatz. Alle Rechte vorbehalten, insbesondere für den Fall der Patenterteilung oder Gk-Entragung.

The reproduction or use of this document or its contents is not permitted without express written authority. Offenders will be liable for damages. All rights, including rights created by patent grant or registration of a utility model or design, are reserved.

Copyright © Siemens AG 2005
 Copy-drawing do not make any manual changes



Type of construction: IM B35 with A550 flange (IM V35)/ Type of protection: IP55

	-	
Terminal box	1XB7322-P05	1PH8228-1DC03-2BA1
Weight	870 kg	
Unit	mm (in)	
Date	4/24/23	
SIEMENS AG		
not toleranced dimensions: ± 1		DT