

Sealable cover 17.5 mm, For SIRIUS devices in industrial standard mounting rail enclosure with cutout at the bottom

product brand name	SIRIUS
product category	Further accessories
product designation	Sealable cover/17.5 mm
design of the product	For simple protection against unauthorized access

General technical data

Substance Prohibittance (Date)	03/01/2017
Weight	0.002 kg
width	17.5 mm

Approvals Certificates

General Product Approval



EG-Konf.



UL



Test Certificates	Marine / Shipping	other
-------------------	-------------------	-------

[Type Test Certificates/Test Report](#)



DNV



LRS



RINA



RMRS

[Confirmation](#)

Environment

[Environmental Conformations](#)

Further information

Information on the packaging

<https://support.industry.siemens.com/cs/ww/en/view/109813875>

Information- and Downloadcenter (Catalogs, Brochures,...)

<https://www.siemens.com/ic10>

Industry Mall (Online ordering system)

<https://mall.industry.siemens.com/mall/en/en/Catalog/product?mlfb=3ZY1321-1AA00>

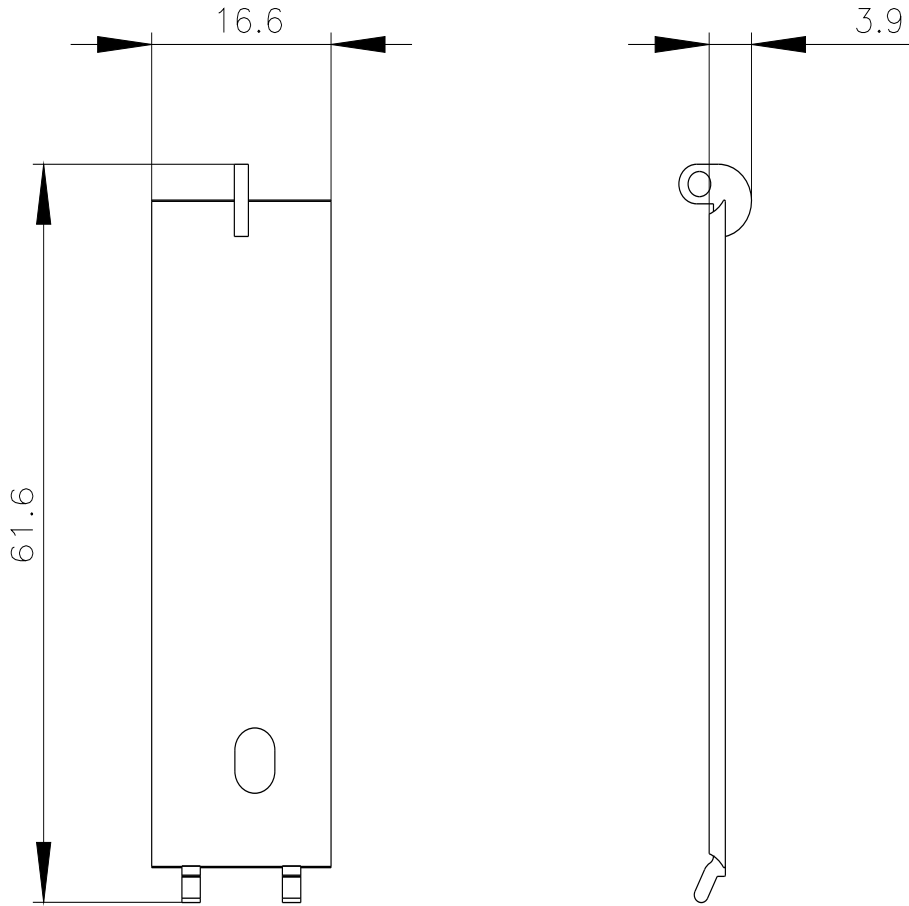
Cax online generator

<http://support.automation.siemens.com/WW/CAXorder/default.aspx?lang=en&mlfb=3ZY1321-1AA00>

Service&Support (Manuals, Certificates, Characteristics, FAQs,...)

<https://support.industry.siemens.com/cs/ww/en/ps/3ZY1321-1AA00>

Image database (product images, 2D dimension drawings, 3D models, device circuit diagrams, EPLAN macros, ...)



last modified:

1/18/2021 