

disjuntor VLVAR profundidade 1 3R 12 J/L-FR 3/4P



Versão	
nome da marca do produto	SENTRON
Acessórios	
acessório	Acessórios
Projeto mecânico	
Peso líquido por ME	1,733 kg
Homologações certificados	
Environment	General Product Approval

[Environmental Con-  
firmations](#)

[Environmental Con-  
firmations](#)



### Outras informações

Informações sobre a embalagem

[Informações sobre a embalagem](#)

Information for data generation and storage

<https://support.industry.siemens.com/cs/ww/en/view/109995012>

Information- and Downloadcenter (Catalogs, Brochures,...)

<https://www.siemens.com/lowvoltage/catalogs>

Industry Mall (Online ordering system)

<https://mall.industry.siemens.com/mall/pt/pt/Catalog/product?mlfb=3VL9400-3JS01>

Service&Support (Manuals, Certificates, Characteristics, FAQs,...)

<https://support.industry.siemens.com/cs/ww/pt/ps/3VL9400-3JS01>

Image database (product images, 2D dimension drawings, 3D models, device circuit diagrams, ...)

[https://www.automation.siemens.com/bilddb/cax\\_en.aspx?mlfb=3VL9400-3JS01](https://www.automation.siemens.com/bilddb/cax_en.aspx?mlfb=3VL9400-3JS01)

CAX-Online-Generator

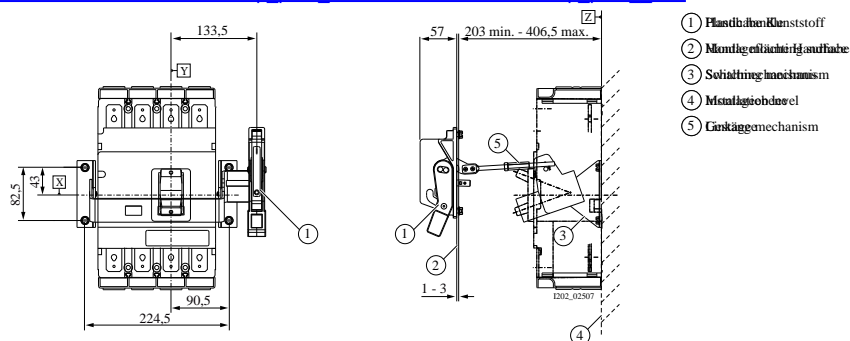
<https://www.siemens.com/cax>

Tender specifications

<https://www.siemens.com/specifications>

Curvas características

[https://curves.simaris.siemens.com/curves/<mmp\\_prod\\_noCOMP="HAUPT"></mmp\\_prod\\_no>](https://curves.simaris.siemens.com/curves/<mmp_prod_noCOMP=)



---

última alteração:

11/05/2025 

