



illumination kit 24V DC accessory for: manual operators 3VA 3VA2  
100/160/250/400/630

Model	
product brand name	SENTRON
product designation	illumination kit
design of the product	illumination kit
wire length	0.5 m
type of voltage of the operating voltage for actuation	DC

Control current	
control supply voltage at DC rated value	
• minimum	24 V
• maximum	24 V

Mechanical Design	
height	5 mm
width	130 mm
depth	160 mm
net weight	23 g

Approvals Certificates	
General Product Approval	Test Certificates



[Type Test Certificates/Test Report](#)

Marine / Shipping	other	Environment
-------------------	-------	-------------



LRS

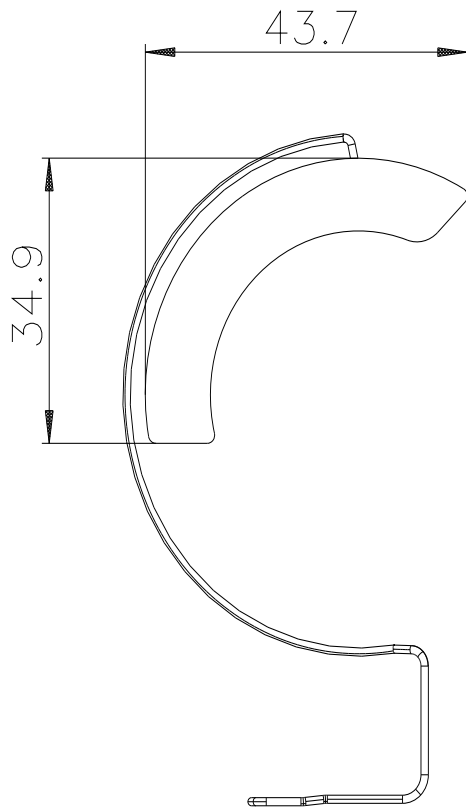
[Miscellaneous](#)

[Confirmation](#)

[Environmental Confirmations](#)

### Further information

Information on the packaging  
<https://support.industry.siemens.com/cs/ww/en/view/109813875>  
 Information- and Downloadcenter (Catalogs, Brochures,...)  
<http://www.siemens.com/lowvoltage/catalogs>  
 Industry Mall (Online ordering system)  
<https://mall.industry.siemens.com/mall/en/en/Catalog/product?mlfb=8UD1900-0KA20>  
 Service&Support (Manuals, Certificates, Characteristics, FAQs,...)  
<https://support.industry.siemens.com/cs/ww/en/ps/8UD1900-0KA20>  
 Image database (product images, 2D dimension drawings, 3D models, device circuit diagrams, ...)  
[http://www.automation.siemens.com/bilddb/cax\\_en.aspx?mlfb=8UD1900-0KA20](http://www.automation.siemens.com/bilddb/cax_en.aspx?mlfb=8UD1900-0KA20)  
 CAx-Online-Generator



---

last modified:

8/6/2024 

