

terminal cover 2-pole; 1 unit accessory for: 3VA11



Model	
product brand name	SETRON
product designation	Terminal cover 2-pole 1 unit
accessories	Terminal cover

Certificates		
General Product Approval	EMV	Test Certificates



[Miscellaneous](#)



[Type Test Certificates/Test Report](#)

Marine / Shipping	other	Environment			
-------------------	-------	-------------	--	--	--



[Miscellaneous](#)

[Confirmation](#)

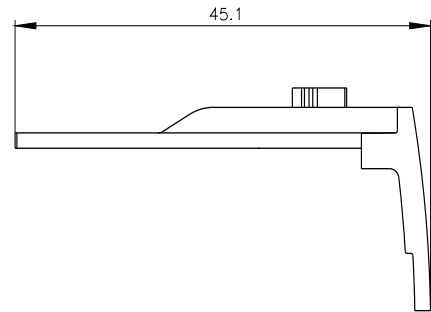
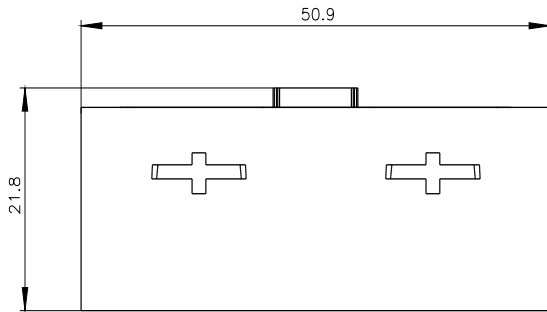
[Miscellaneous](#)

[Environmental Confirmations](#)

[Environmental Confirmations](#)

### Further information

- Information on the packaging  
<https://support.industry.siemens.com/cs/ww/en/view/109813875>
- Information- and Downloadcenter (Catalogs, Brochures,...)  
<http://www.siemens.com/lowvoltage/catalogs>
- Industry Mall (Online ordering system)  
<https://mall.industry.siemens.com/mall/en/en/Catalog/product?mlfb=3VA9111-0WD20>
- Service&Support (Manuals, Certificates, Characteristics, FAQs,...)  
<https://support.industry.siemens.com/cs/ww/en/ps/3VA9111-0WD20>
- Image database (product images, 2D dimension drawings, 3D models, device circuit diagrams, ...)  
[http://www.automation.siemens.com/bilddb/cax\\_en.aspx?mlfb=3VA9111-0WD20](http://www.automation.siemens.com/bilddb/cax_en.aspx?mlfb=3VA9111-0WD20)
- CAX-Online-Generator  
<http://www.siemens.com/cax>
- Tender specifications  
<http://www.siemens.com/specifications>



---

last modified:

11/16/2024 

