



leading auxiliary switch S26 2x standard 400V AC accessory for circuit breaker 3VA27 (handle)

Model	
product brand name	SENTRON
product designation	auxiliary switch AUX
design of the product	leading S26
Mechanical Design	
height	61 mm
width	90 mm
depth	140 mm
net weight	132 kg

Approvals Certificates		
General Product Approval	Marine / Shipping	other



[Confirmation](#)



[Miscellaneous](#)

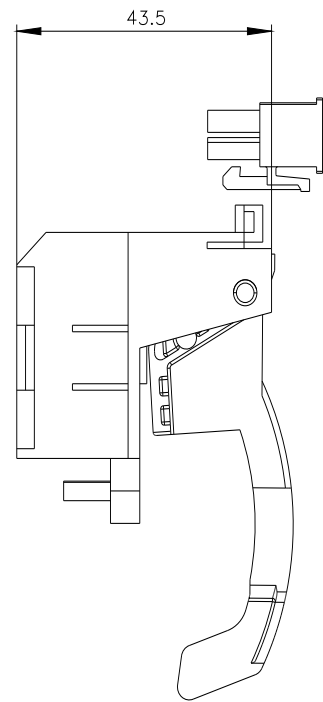
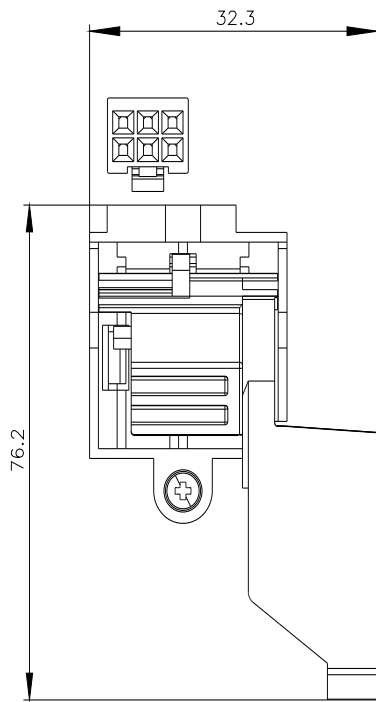
other	Environment
-------	-------------

[Confirmation](#)

[Environmental Confirmations](#)

Further information

- Information on the packaging
<https://support.industry.siemens.com/cs/ww/en/view/109813875>
- Information- and Downloadcenter (Catalogs, Brochures,...)
<http://www.siemens.com/lowvoltage/catalogs>
- Industry Mall (Online ordering system)
<https://mall.industry.siemens.com/mall/en/en/Catalog/product?mlfb=3VW9727-0AA21>
- Service&Support (Manuals, Certificates, Characteristics, FAQs,...)
<https://support.industry.siemens.com/cs/ww/en/ps/3VW9727-0AA21>
- Image database (product images, 2D dimension drawings, 3D models, device circuit diagrams, ...)
http://www.automation.siemens.com/bilddb/cax_en.aspx?mlfb=3VW9727-0AA21
- CAx-Online-Generator
<http://www.siemens.com/cax>
- Tender specifications
<http://www.siemens.com/specifications>



last modified:

8/10/2021 

