



illumination kit 24V DC accessory for: direct rotary op. mech. 3VA f. 3VA1 100/160

Model	
product brand name	SETRON
product designation	illumination kit
design of the product	illumination kit
wire length	0.5 m
type of voltage of the operating voltage for actuation	DC

Control current	
control supply voltage at DC rated value	
• minimum	24 V
• maximum	24 V

Mechanical Design	
height	5 mm
width	130 mm
depth	160 mm
net weight	23 g

Approvals Certificates		
General Product Approval	Marine / Shipping	other



[Confirmation](#)

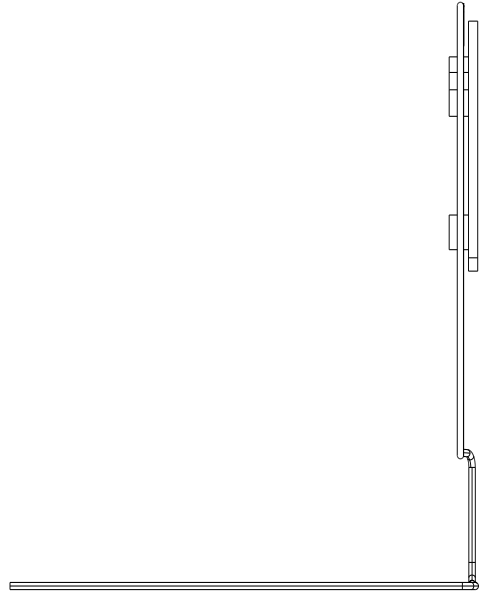
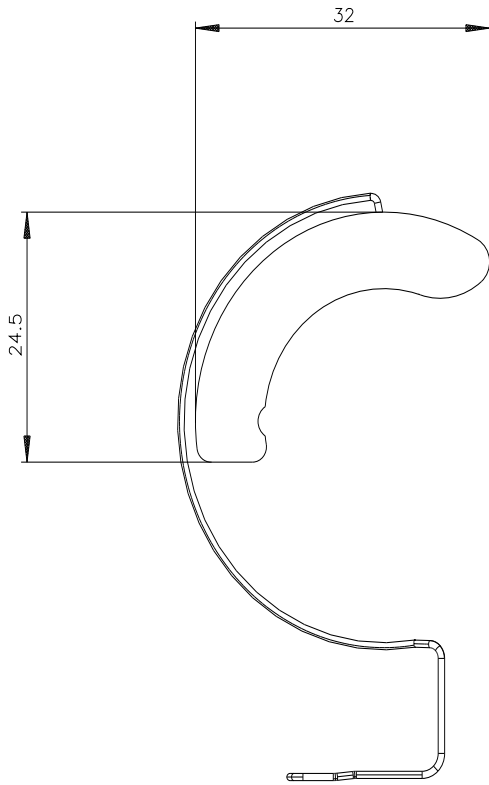
other	Environment
-------	-------------

[Miscellaneous](#)

[Environmental Confirmations](#)

Further information

Information on the packaging
<https://support.industry.siemens.com/cs/ww/en/view/109813875>
 Information- and Downloadcenter (Catalogs, Brochures,...)
<http://www.siemens.com/lowvoltage/catalogs>
 Industry Mall (Online ordering system)
<https://mall.industry.siemens.com/mall/en/en/Catalog/product?mlfb=8UD1900-0KA10>
 Service&Support (Manuals, Certificates, Characteristics, FAQs,...)
<https://support.industry.siemens.com/cs/ww/en/ps/8UD1900-0KA10>
 Image database (product images, 2D dimension drawings, 3D models, device circuit diagrams, ...)
http://www.automation.siemens.com/bilddb/cax_en.aspx?mlfb=8UD1900-0KA10
 CAx-Online-Generator



last modified:

8/6/2024 

