

# Product datasheet

Specifications



## Magelis GXO - 10.2 wide

HMIGXO5502

❗ Discontinued on: 31 December 2015

❗ Discontinued

### Main

Range of product	Magelis GXO
Product or component type	Touch panel screen
Display size	10.2 inch
Display type	Colour TFT LCD
Display colour	65536 colours
Pixel resolution	800 x 480
Brightness	8 levels via touch panel
Memory description	Flash NAND, 16 MB Application run SDRAM, 64 MB Back up of data Non-Volatile SRAM (NVSRAM), 128 kB
Type of cooling	Natural

### Complementary

Integrated connection type	COM1 serial link - 1 port(s) - male SUB-D 9 - RS232C - 2400...115200 bps COM2 serial link - 1 port(s) - male SUB-D 9 - RS422/RS485 - 2400...187500 bps USB type A - 1 port(s) - USB type A USB type mini B - 1 port(s) - USB type B
Software package	Vijeo Designer software 6.0
[Us] rated supply voltage	24 V DC +/- 20 %
Inrush current	50 A
Power consumption in W	7 W
Height	206.8 mm
Width	275.8 mm
Depth	59.8 mm

### Environment

IP degree of protection	IP65 front panel: conforming to IEC 60529 IP20 rear panel: conforming to IEC 60529
Pollution degree	2
Electromagnetic compatibility	Radiated radio-frequency electromagnetic field immunity test: 10 V/m, 80 MHz...1 GHz Radiated radio-frequency electromagnetic field immunity test: 3 V/m, 1.4 MHz...2 GHz Radiated radio-frequency electromagnetic field immunity test: 1 V/m, 2...3 GHz Electrical fast transient: 2 kV power ports conforming to EN/IEC 61131-2 zone B Electrical fast transient: 1 kV other ports conforming to EN/IEC 61131-2 zone B High-energy surges: 1 kV differential mode conforming to IEC 61000-4-5

High-energy surges: 2 kV common mode conforming to IEC 61000-4-5

<b>Ambient air temperature for operation</b>	0...50 °C
<b>Ambient air temperature for storage</b>	-20...60 °C
<b>Maximum pressure</b>	800...1114 hPa
<b>Relative humidity</b>	85 %
<b>Vibration resistance</b>	1 gn (f= 5...150 Hz) on the 3 axes conforming to IEC 60068-2-6
<b>Shock resistance</b>	15 gn for 11 ms conforming to IEC 60068-2-27
<b>Resistance to electrostatic discharge</b>	4 kV contact conforming to EN/IEC 61131-2 8 kV air conforming to EN/IEC 61131-2

## Offer Sustainability

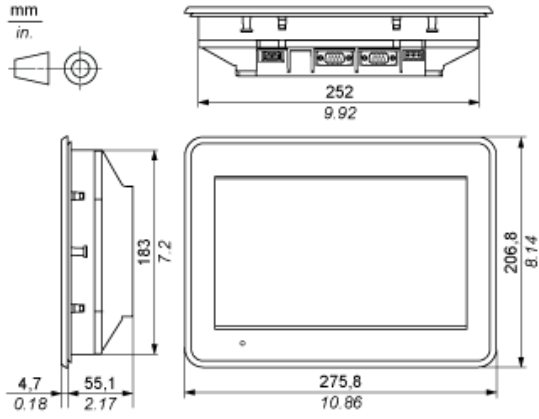
<b>Sustainable offer status</b>	Green Premium product
<b>EU RoHS Directive</b>	Pro-active compliance (Product out of EU RoHS legal scope) <a href="#">EU RoHS Declaration</a>
<b>Mercury free</b>	Yes
<b>RoHS exemption information</b>	<a href="#">Yes</a>
<b>China RoHS Regulation</b>	<a href="#">China RoHS declaration</a>
<b>Environmental Disclosure</b>	<a href="#">Product Environmental Profile</a>
<b>Circularity Profile</b>	<a href="#">End of Life Information</a>

## Contractual warranty

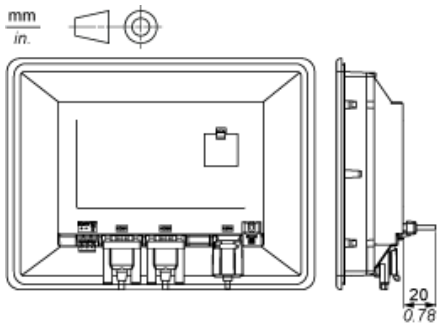
<b>Warranty</b>	18 months
-----------------	-----------

**Dimensions**

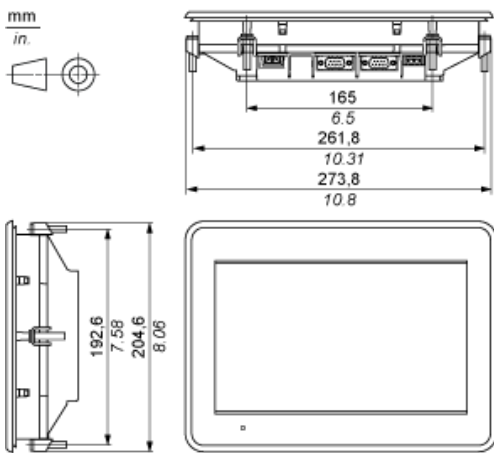
**Panel Dimensions**



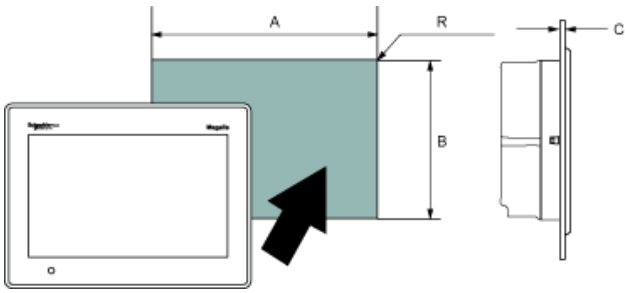
**Dimensions with Cables**



**Dimensions with Screw Fasteners**

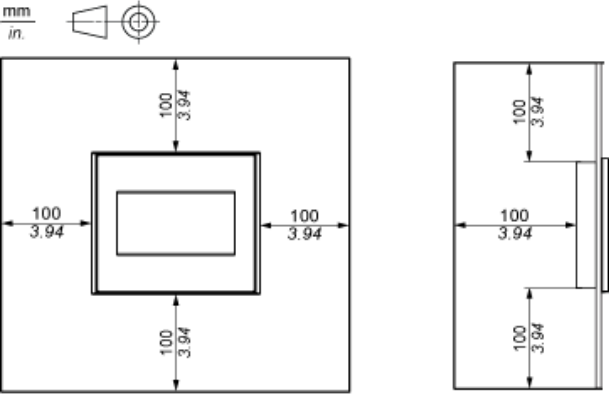


**Panel Cut-out**



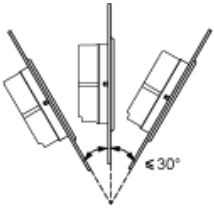
A	B	C (Panel Thickness)	R
255 mm (10.04 in) ± 1.8 mm (0.07 in)	185 mm (7.28 in) +1 mm (0.04 in) - 0 mm	1.5...10 mm (0.06...0.39 in)	3 mm (0.12 in) max.

Air Circulation



**Installation in a Slanted Panel**

---



**Recommended replacement(s)**